

WRD Exp. (GW)  
April 1966

Well No. N19

### WELL SCHEDULE

U. S. DEPT. OF THE INTERIOR

GEOLOGICAL SURVEY

WATER RESOURCES DIVISION

#### MASTER CARD

Record by \_\_\_\_\_ Source of data \_\_\_\_\_ Date \_\_\_\_\_ Map Readland

State Mississippi 28 County (or town) Washington 76

Latitude: 33<sup>08</sup>18<sup>N</sup> Longitude: 09<sup>10</sup>40<sup>5</sup> Sequential number: 1

Lat-long accuracy: 2<sup>0</sup> T. 15 S, R 8 E Sec 19, NE  $\frac{1}{4}$ , NW  $\frac{1}{4}$ , NW  $\frac{1}{4}$

Local well number: N019381915N08W Other number: \_\_\_\_\_ B & M

Local use: \_\_\_\_\_ Owner or name: L.O. Patton

Owner or name: L O PATTON Address: \_\_\_\_\_

Ownership: County, Fed Gov't, City, Corp or Co, Private, State Agency, Water Dist P

Use of water: (A) Air cond, Bottling, Comm, Dewater, Power, Fire, Dom, Irr, Med, Ind, P S, Rec, (S) Stock, Instit, Unused, Recharge, Desal-P S, Desal-other, Other I

Use of well: (A) Anode, Drain, Seismic, Heat Res, Obs, Oil-gas, Recharge, Test, Unused, Withdraw, Waste, Destroyed W

DATA AVAILABLE: Well data  Freq. W/L meas.:  Field aquifer char.

Hyd. lab. data: \_\_\_\_\_

Qual. water data; type: \_\_\_\_\_

Freq. sampling: \_\_\_\_\_ Pumpage inventory:  yes  no; period: \_\_\_\_\_

Aperture cards: \_\_\_\_\_ yes

Log data: \_\_\_\_\_

#### WELL-DESCRIPTION CARD

SAME AS ON MASTER CARD Depth well: 108 ft 108 Meas. repr. 6

Depth cased; (first perf.): 83 ft 83 Casing type: \_\_\_\_\_; Diam. 12.8 in 12

Finish: porous concrete, gravel w. (perf.), gravel w. (screen), horiz. gallery, end, (S) screen, (T) sd. pt., (W) shored, (X) open hole, other 5

Method Drilled: (A) air bored, (B) cable, (C) dug, (D) jetted, (E) air reverse, (F) percussive, (G) rotary, (H) driven, (I) drive wash, other H

Date Drilled: July 1955 9:55 Pump intake setting: see drawing ft \_\_\_\_\_

Driller: Drew Well Service, name \_\_\_\_\_ address \_\_\_\_\_

Lift (type): (A) air, (B) bucket, (C) cent, (D) jet, (E) multiple, (F) multiple, (G) none, (H) piston, (I) rot, (J) submerg, (K) turb, (L) other 7 Deep  Shallow

Power (type): (A) diesel, (B) elec, (C) gas, (D) gasoline, (E) hand, (F) gas, (G) wind; H.P. Unit 8 Trans. or meter no. \_\_\_\_\_

Descrip. MP 1.0 ft above below LSD. Alt. MP \_\_\_\_\_

Alt. LSD: 115 115 Accuracy: (source) 3

Water Level: 18.80 ft above below MP; Ft below LSD 20 Accuracy: Taped A

Date meas: 10-18-65 065 Yield: 800 gpm 800 Method Rep determined 61

Drawdown: \_\_\_\_\_ ft \_\_\_\_\_ Accuracy: \_\_\_\_\_ Pumping period: \_\_\_\_\_ hrs \_\_\_\_\_

QUALITY OF WATER DATA: Iron \_\_\_\_\_ ppm Sulfate \_\_\_\_\_ ppm Chloride \_\_\_\_\_ ppm Hard. \_\_\_\_\_ ppm

Sp. Conduct \_\_\_\_\_ K x 10 6 Temp. \_\_\_\_\_ °F \_\_\_\_\_ Date sampled \_\_\_\_\_

Taste, color, etc. \_\_\_\_\_

PUNCHED and VERIFIED  
ROLLA COMPUTATION BRANCH

Well No. N19

Well No. N19

Latitude-longitude N  
S  
d m s d m s

**HYDROGEOLOGIC CARD**

**SAME AS ON MASTER CARD** Physiographic Province: Coastal Plain 03 Section: Miss. River

alluvial plain E Drainage Basin: 151 Subbasin: 26

(D) (C) (E) (F) (H) (K) (L)  
Topo of depression, stream channel, dunes, flat, hilltop, sink, swamp,  
well site: (Q) (P) (S) (T) (U) (V) V  
offshore, pediment, hillside, terrace, undulating, valley flat

MAJOR AQUIFER: Quaternary Pleistocene QG Miss. River alluvium MA  
system series aquifer, formation, group

Lithology: sand-gravel alluvium 9A Origin: Fluvial 2 Aquifer Thickness: \_\_\_\_\_ ft

Length of well open to: 25 ft 25 Depth to top of: \_\_\_\_\_ ft

MINOR AQUIFER: \_\_\_\_\_  
system series aquifer, formation, group

Lithology: \_\_\_\_\_ Origin: \_\_\_\_\_ Aquifer Thickness: \_\_\_\_\_ ft

Length of well open to: \_\_\_\_\_ ft Depth to top of: \_\_\_\_\_ ft

Intervals Screened: 83-108 ft

Depth to consolidated rock: \_\_\_\_\_ ft Source of data: \_\_\_\_\_

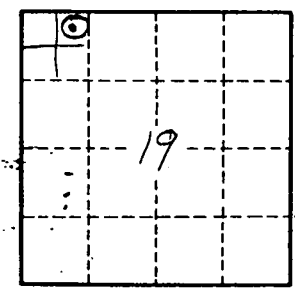
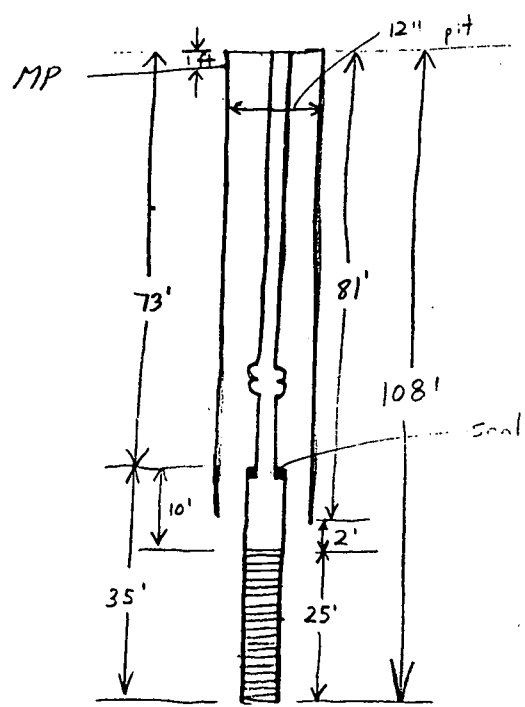
Depth to basement: \_\_\_\_\_ ft Source of data: \_\_\_\_\_

Surficial material: \_\_\_\_\_ Infiltration characteristics: \_\_\_\_\_

Coefficient Trans: \_\_\_\_\_ gpd/ft Coefficient Storage: \_\_\_\_\_

Coefficient Perm: \_\_\_\_\_ gpd/ft<sup>2</sup>; Spec cap: \_\_\_\_\_ gpm/ft; Number of geologic cards: \_\_\_\_\_

Jacuzzi tubing 2 stage, 10" bowl, 50' set



8.1 mi NW  
Glen Allan

Well No. N19