

WELL SCHEDULE

U. S. DEPT. OF THE INTERIOR

GEOLOGICAL SURVEY

WATER RESOURCES DIVISION

MASTER CARD

Record by B.E. Wasson Source of data _____ Date 5-18-62 Map Tralake

State Mississippi 28 County (or town) Washington 76

Latitude: 33 16 03 N Longitude: 09 05 60 2 Sequential number: 1

Lat-long accuracy: 2 T. 6 S. R. 7 Sec 4 NW 4 NW 4

Local well number: L026B80416N07W Other number: _____ B & M

Local use: _____ Owner or name: Mr McKenzie

Owner or name: MR MCKENZIE Address: _____

Ownership: County, Fed Gov't, City, Corp or Co, Private, State Agency, Water Dist P

Use of water: (A) Air cond, (B) Bottling, (C) Comm, (D) Dewater, (E) Power, (F) Fire, (G) Dom, (H) Irr, (I) Med, (J) P S, (K) Rec, (L) Stock, (M) Insitit, (N) Unused, (O) Reppure, (P) Recharge, (Q) Desal-P S, (R) Desal-other, (S) Other H

Use of well: (A) Anode, (B) Drain, (C) Seismic, (D) Heat Res, (E) Obs, (F) Oil-gas, (G) Recharge, (H) Test, (I) Unused, (J) Withdraw, (K) Waste, (L) Destroyed W

DATA AVAILABLE: Well data Freq. W/L meas.: Field aquifer char.

Hyd. lab. data: _____

Qual. water data; type: _____

Freq. sampling: _____ Pumpage inventory: yes no; period: _____

Aperture cards: _____ yes no

Log data: _____

WELL-DESCRIPTION CARD

SAME AS CN MASTER CARD Depth well: 31 ft 31 Meas. accuracy, 0

Depth cased: (first perf.) 28 ft 28 Casing type: _____; Diam. 17 in 1

Finish: porous concrete, gravel w. (perf.), gravel w. (screen), horiz. gallery, open end, (P) perfl., (S) screen, (T) sd. pt., (W) shored, (X) open hole, (Z) other T

Method: (A) air bored, (B) cable, (C) dug, (D) hyd jetted, (E) rot., (F) percussion, (G) rotary, (H) air reverse, (I) trenching, (J) driven, (K) wash, (L) other V

Date Drilled: _____ Pump intake setting: _____ ft _____

Driller: _____ name _____ address _____

Lift (type): (A) air, (B) bucket, (C) cent, (D) jet, (E) multiple, (F) multiple, (G) none, (H) piston, (I) rot, (J) submerg, (K) turb, (L) other P Deep Shallow

Power (type): diesel, elec, gas, gasoline, hand, gas, wind; H.P. Pitcher 1 Trans. or meter no. _____

Descrip. MP Mouth of pitcher, which is 3.0 ft above LSD. Alt. MP 114

Alt. LSD: 111 Accuracy: (source) 3

Water Level 13.10 ft above MP; Ft below LSD 10 Accuracy: imped A

Date meas: 5-18-62 562 Yield: _____ gpm _____ Method determined

Drawdown: _____ ft _____ Accuracy: _____ Pumping period _____ hrs _____

QUALITY OF WATER DATA: Iron _____ ppm Sulfate _____ ppm Chloride _____ ppm Hard. _____ ppm

Sp. Conduct _____ K x 10 6 Temp. _____ °F _____ Date sampled _____

Taste, color, etc. _____

Well No. L 26

Latitude-longitude N
S
d m s d m s

HYDROGEOLOGIC CARD

NAME AS ON MASTER CARD Physiographic Province: Coastal Plain 03 Section: Miss. River

1 plain E Drainage Basin: 15I Subbasin: 26

(D) (C) (E) (F) (H) (K) (L)
of depression, stream channel, dunes, flat, hilltop, sink, swamp,
site: (Ø) (P) (S) (T) (U) (V) 27
offshore, pediment, hillside, terrace, undulating, valley flat

PER: Quaternary, Pleistocene Q6 Miss. River alluvium MA
system series aquifer, formation, group

ology: sand - alluvium FA Origin: Fluvial 2 Aquifer Thickness: ft

Length of well open to: 3 ft 3 Depth to top of: ft

PER: 44 45 aquifer, formation, group 46 47

ology: 48 49 Origin: 50 Aquifer Thickness: ft

Length of well open to: ft 54 56 Depth to top of: ft 57 59

ervals cored: 28-31 ft

h to consolidated rock: ft 60 63 Source of data: 64

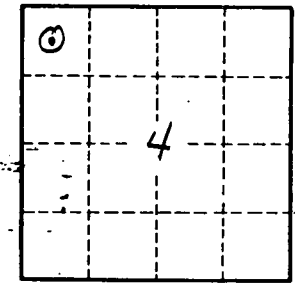
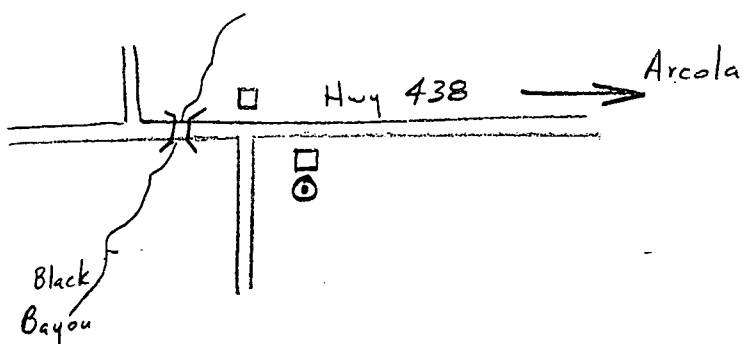
h to cement: ft 65 68 Source of data: 69

icial rial: 70 71 Infiltration characteristics: 72

icient s: gpd/ft 73 75 Coefficient Storage: 76 78

icient : gpd/ft² ; Spec cap: gpm/ft ; Number of geologic cards: 79

nant: Lewis Willis



Well No. L 226