

# WELL SCHEDULE

U. S. DEPT. OF THE INTERIOR

GEOLOGICAL SURVEY

WATER RESOURCES DIVISION

## MASTER CARD

Record by B.E. Wasson Source of data \_\_\_\_\_ Date 5-18-62 Map Tralake

State Mississippi County (or town) Washington 7.6

Latitude: 33° 16' 14" N Longitude: 09° 05' 34" W Sequential number: 1

Lat-long accuracy: 2 T. 17 S. R. 7 Sec 35, SE  $\frac{1}{4}$ , SE  $\frac{1}{4}$ , SW  $\frac{1}{4}$

Local well number: H026DC3517N07W Other number: \_\_\_\_\_ B & M

Local use: \_\_\_\_\_ Owner or name: Dewey Beard

Owner or name: DEWEY BEARD Address: \_\_\_\_\_

Ownership: County, Fed Gov't, City, Corp or Co, Private, State Agency, Water Dist P

Use of water: (A) Air cond, (B) Bottling, (C) Comm, (D) Dewater, (E) Power, (F) Fire, (G) Dom, (H) Irr, (I) Med, (M) Ind, (N) P S, (P) Rec, (S) Stock, (T) Instit, (U) Unused, (V) Repressure, (W) Recharge, (X) Desal-P S, (Y) Desal-other, (Z) Other H

Use of well: (A) Anode, (D) Drain, (G) Seismic, (H) Heat Res, (I) Obs, (P) Oil-gas, (R) Recharge, (T) Test, (U) Unused, (W) Withdraw, (X) Waste, (Z) Destroyed W

DATA AVAILABLE: Well data  Freq. W/L meas.:  Field aquifer char.

Hyd. lab. data: \_\_\_\_\_

Qual. water data; type: USGS Partial (field)

Freq. sampling: \_\_\_\_\_ Pumpage inventory:  yes  no; period: \_\_\_\_\_

Aperture cards: \_\_\_\_\_ yes

Log data: \_\_\_\_\_

## WELL-DESCRIPTION CARD

SAME AS ON MASTER CARD Depth well: 24 ft 24 Meas. 1

Depth cased: (first perf.) \_\_\_\_\_ ft 21 Casing type: \_\_\_\_\_; Diam. 1 1/4 in 1

Finish: (C) porous concrete, (F) gravel w. (perf.), (G) gravel w. (screen), (H) horiz. gallery, (I) open end, (P) perf., (S) screen, (T) sd. pt., (W) shored, (X) open hole, (Z) other 7

Method: (A) air, (B) bored, (C) cable, (D) dug, (H) rot., (J) hyd jetted, (P) percussion, (R) air reverse, (T) trenching, (V) driven, (W) wash, (Z) other V

Date Drilled: \_\_\_\_\_ Pump intake setting: \_\_\_\_\_ ft \_\_\_\_\_

Driller: \_\_\_\_\_ name \_\_\_\_\_ address \_\_\_\_\_

Lift (type): (A) air, (B) bucket, (C) cert, (J) jet, (L) multiple, (M) multiple, (N) none, (P) piston, (R) rot, (S) submerg, (T) turb, (Z) other P Deep  Shallow

Power (type): nat diesel, elec, gas, gasoline, (hand) gas, wind; H.P. 1 Trans. or meter no. \_\_\_\_\_

Descrip. MP Mouth of pitch pump, which is 2.0 ft above below LSD: Alt. MP 114

Alt. LSD: 112 112 Accuracy: (source) topo 3

Water Level 13.95 ft above below MP; Ft above below LSD 1.2 Accuracy: taped A

Date meas: 5-18-62 562 Yield: \_\_\_\_\_ gpm \_\_\_\_\_ hrs \_\_\_\_\_

Drawdown: \_\_\_\_\_ ft \_\_\_\_\_ Accuracy: \_\_\_\_\_ Pumping period \_\_\_\_\_

QUALITY OF WATER DATA: Iron \_\_\_\_\_ ppm Sulfate \_\_\_\_\_ ppm Chloride 24 ppm Hard. 103 ppm 4

Sp. Conduct 210 K x 10<sup>6</sup> 2 Temp. 64 °F 64 Date sampled 5-18-62 562

Taste, color, etc. pt = 6.2

Well No. H 26

Latitude-longitude N  
S  
d m s d m s

ROGEOLOGIC CARD

MEAS ON MASTER CARD Physiographic Province: Coastal Plain 03 Section: Miss. River

ial plain E Drainage Basin: 15F Subbasin:  

(D) of depression, stream channel, dunes, flat, hilltop, sink, swamp, site: (C) (E) (F) (H) (K) (L) (U) (V) offshore, pediment, hillside, terrace, undulating, valley flat

R PER: Quaternary, Pleistocene Q1G Miss. River alluvium M1A

ology: sand-gravel alluvium 9A Origin: Fluvial 2 Aquifer Thickness:   ft

Length of well open to: 37 ft 3 Depth to top of:   ft   ft   ft

R PER:   system   series   aquifer, formation, group   Aquifer Thickness:   ft

ology:   Origin:   Depth to top of:   ft   ft   ft

Length of well open to:   ft   Depth to top of:   ft   ft

Observations:

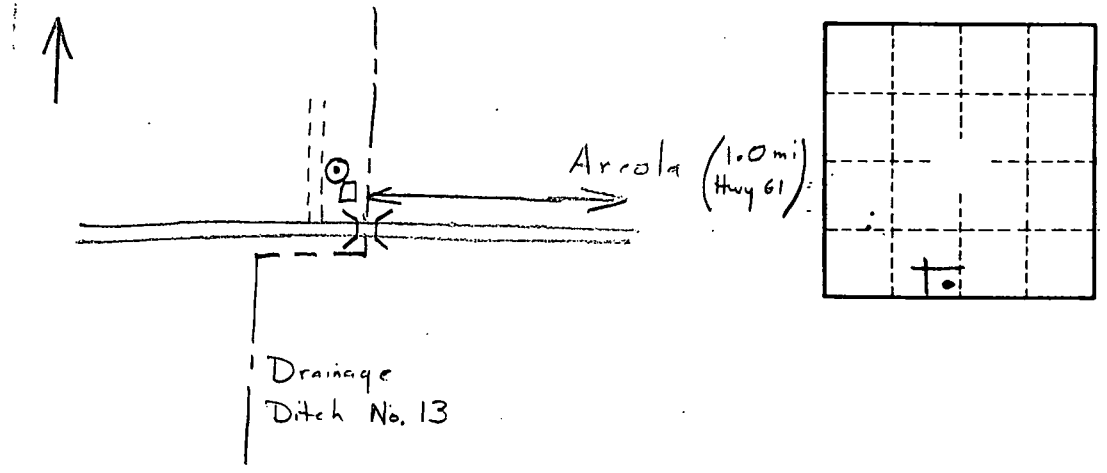
h to consolidated rock:   ft   Source of data:  

h to cement:   ft   Source of data:  

icial rial:   Infiltration characteristics:  

efficient storage:   gpd/ft   Coefficient Storage:  

efficient storage:   gpd/ft<sup>2</sup>; Spec cap:   gpm/ft; Number of geologic cards:  



Well No. H26