

WELL SCHEDULE

U. S. DEPT. OF THE INTERIOR

GEOLOGICAL SURVEY

WATER RESOURCES DIVISION

MASTER CARD

Record by B.E. Wasson Source of data \_\_\_\_\_ Date 5-18-62 Map Trail Lake Quad

State Mississippi 28 County (or town) Washington 76

Latitude: 33 21 46 N Longitude: 09 05 54 W Sequential number: 1

Lat-long accuracy: 2 T. 18 S. R. 7 Sec 33, NE  $\frac{1}{4}$ , SW  $\frac{1}{4}$

Local well number: E034AC3318N07W Other number: \_\_\_\_\_ B & M

Local use: \_\_\_\_\_ Owner or name: J.C. Carter

Owner or name: J C CARTER Address: \_\_\_\_\_

Ownership: County, Fed Gov't, City, Corp or Co, Private, State Agency, Water Dist P

Use of water: Air cond, Bottling, Comm, Dewater, Power, Fire, Dom, Irr, Med, Ind, P S, Rec, Stock, Instit, Unused, Repressure, Recharge, Desal-P S, Desal-other, Other H

Use of well: Anode, Drain, Seismic, Heat Res, Cbs, Oil-gas, Recharge, Test, Unused, Withdraw, Waste, Destroyed W

DATA AVAILABLE: Well data  Freq. W/L meas.: original  Field aquifer char.

Hyd. lab. data: \_\_\_\_\_

Qual. water data; type: USGS field

Freq. sampling: original  Pumpage inventory: yes  no; period: \_\_\_\_\_

Aperture cards: \_\_\_\_\_ yes

Log data: \_\_\_\_\_

WELL-DESCRIPTION CARD

SAME AS ON MASTER CARD Depth well: 37 ft 37 Meas. 0

Depth cased: (first perf.) \_\_\_\_\_ ft 34 Casing type: \_\_\_\_\_; Diam. 1/4 in 1

Finish: porous concrete, gravel w. (perf.), gravel w. (screen), horiz. gallery, open perf., screen, sd. pt., shored, other 7

Method: (A) air bored, (B) cable, (C) dug, (D) hyd jetted, (E) air reverse, (F) trenching, (G) driven, (H) drive wash, (I) rot, (J) percussion, (K) rotary, other V

Date Drilled: \_\_\_\_\_ Pump intake setting: \_\_\_\_\_ ft \_\_\_\_\_

Driller: \_\_\_\_\_ name \_\_\_\_\_ address \_\_\_\_\_

Lift (type): (A) air, (B) bucket, (C) cent, (D) jet, (E) multiple, (F) multiple, (G) none, (H) pigton, (I) rot, (J) submerg, (K) turb, (L) other P Deep  Shallow

Power (type): diesel, elec, gas, gasoline, hand, gas, wind; H.P. \_\_\_\_\_ Trans. or meter no. 1

Descrip. MP MOP which is 2.5 ft above LSD. Alt. MP \_\_\_\_\_

Alt. LSD: 117 Accuracy: (source) topo 3

Water Level 11.82 ft above MP; 9 ft below LSD Accuracy: taped A

Date meas: 5-17-62 562 Yield: \_\_\_\_\_ bpm \_\_\_\_\_ Method determined \_\_\_\_\_

Drawdown: \_\_\_\_\_ ft \_\_\_\_\_ Accuracy: \_\_\_\_\_ Pumping period \_\_\_\_\_ hrs \_\_\_\_\_

QUALITY OF WATER DATA: Iron \_\_\_\_\_ ppm Sulfate \_\_\_\_\_ ppm Chloride 16 Hard. 308

Sp. Conduct 520 K x 10 4 Temp. 66 Date sampled 5-18-62 562

Taste, color, etc. pH = 6.8

Well No. E34

Latitude-longitude N  
S

**HYDROGEOLOGIC CARD**

NAME AS ON MASTER CARD: Physiographic Province: Coastal Plain Section: Miss. River

plain Drainage Basin: 15J Subbasin: 26

(D) depression, stream channel, dunes, flat, hilltop, sink, swamp, site: (V) offshore, pediment, hillside, terrace, undulating, valley flat

PERIOD: Quaternary, Pleistocene Q1G Miss. River alluvial M1A

Geology: sand-gravel alluvium 9A Origin: Fluvial 2 Aquifer Thickness:          ft

Length of well open to:          ft Depth to top of: 3 ft

PERIOD:                                                      

Geology:                   Origin:                   Aquifer Thickness:          ft

Length of well open to:          ft Depth to top of:          ft

Screen length: 34-37 ft screen length assumed

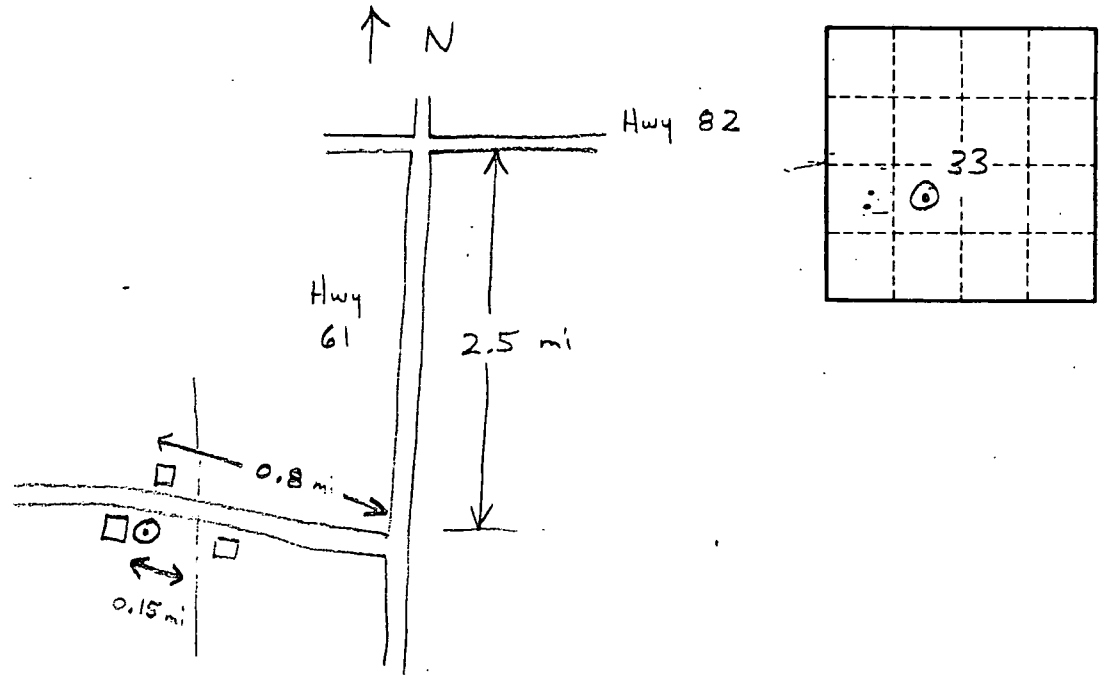
Depth to consolidated rock:          ft Source of data:         

Depth to cement:          ft Source of data:         

Infiltration characteristics:         

Coefficient of Storage:          gpd/ft         

Coefficient of Storage:          gpd/ft<sup>2</sup>; Spec cap:          gpm/ft; Number of geologic cards:         



Well No. E34