

GW-13912?

Booneville

April 1966

Well No. B.35

WELL SCHEDULE

E Log # 30

U. S. DEPT. OF THE INTERIOR GEOLOGICAL SURVEY WATER RESOURCES DIVISION

Booneville Quad-20'

PUNCHED

NOV 14 1972

MASTER CARD

Record by CJ Source of data MSG5 Log Date 3/18/68 Map

State Miss. 5 28 County Prentiss 59

Latitude: 344217N Longitude: 08830289 Sequential number: 1

Lat-long accuracy: 3 T 4 R 7 W, Sec 25 NE NE SE

Local well number: B035AD2504507E Other number: Test Hole # 2

Local use: 21030 Owner or name: New Candler Water

Owner or name: NEW CANDLER W A Address: Booneville, Miss.

Ownership: County, Fed Gov't, City, Corp or Co, Private, State Agency, Water Dist W

Use of water: (A) Air cond, Bottling, Comm, Dewater, Power, Fire, Dom, Irr, Med, Ind, P S, Rec, (S) Stock, Instit, Unused, Repressure, Recharge, Desal-P S, Desal-other, Other P

Use of well: (A) Anode, Drain, Seismic, Heat Res, Obs, Oil-gas, Recharge, Test, Unused, Withdraw, Waste, Destroyed. W

DATA AVAILABLE: Well data Freq. W/L meas.: Field aquifer char.

Hyd. lab. data:

Qual. water data; type: USGS

Freq. sampling: Pumpage inventory:

Aperture cards:

Log data: E Log 6-521 ft. Samples (MSG5) D E

WELL-DESCRIPTION CARD

SAME AS ON MASTER CARD Depth well: 460 ft Meas. rept 3

Depth cased: (first perf.) Split screen ft 373 Casing type: Steel Diam. 8x4 in 8

Finish: porous concrete, gravel w. concrete, (perf.), gravel w. (screen), gravel w. horiz. gallery, open end, horz. open end, perf., screen, sd. pt., shored, open hole, other S

Method Drilled: (A) air rot, (B) bored, (C) cable, (D) dug, (H) hyd jetted, (J) rot., (P) air percussion, (R) reverse, (T) trenching, (V) driven, (W) drive wash, other H

Date Drilled: 2-20-68 9:6:8 Pump intake setting: ft 30 38

Driller: Harold H. Williams Well Supply

Lift (type): (A) air, (B) bucket, (C) cent, (J) jet, (L) multiple, (M) multiple, (N) none, (P) piston, (R) rot, (S) submerg, (T) turb, other T Deep Shallow

Power (type): diesel, elec, gas, gasoline, hand, LP gas, wind, H.P. 20 Trans. or meter no. 41

Descrip. MP 543' (11/89) ft above below LSD, Alt. MP

Alt. LSD: 540' T. 545 Accuracy: 5

Water Level 208 ft above below MP; Ft below LSD 208 Accuracy: 2

Date meas: 268 Yield: 125 gpm Method determined

Drawdown: ft 268 Accuracy: 30 Pumping period: hrs 60

QUALITY OF WATER DATA: Iron 69 Sulfate 70 Chloride 71 Hard. 72

Sp. Conduct 672 K x 10 73 Temp. 74 Date sampled 6/13/72 77 79

Taste, color, etc. driller sampled (428'-499') (468'-489') 2" well, 10'

Yes
AN 11 1974
WL Data
2/2/82
WL=198.9

10207

10/18/78
WL=210.

540
10207
333

Well No.

Well No. B35

Latitude-longitude _____
 _____ d m s _____ d m s

HYDROGEOLOGIC CARD

SAME AS ON MASTER CARD Physiographic Province: _____ Section: 0.3

D Drainage Basin: 116L Subbasin: _____

Topo of well site: (D) depression, stream channel, dunes, flat, hilltop, sink, swamp, (E) (F) (H) (K) (L) (P) (S) (T) (U) (V) offshore, pediment, hillside, terrace, undulating, valley flat _____

MAJOR AQUIFER: system _____ series K3 aquifer, formation, group EZ

Lithology: _____ Origin: L Aquifer Thickness: _____ ft

Length of well open to: _____ ft 42 Depth to top of: _____ ft _____

MINOR AQUIFER: system _____ series _____ aquifer, formation, group _____

Lithology: _____ Origin: _____ Aquifer Thickness: _____ ft

Length of well open to: _____ ft _____ Depth to top of: _____ ft _____

Intervals Screened: Either 479-500 OR 374-384 + 429-460 Problems.

Depth to consolidated rock: _____ ft _____ Source of data: _____

Depth to basement: _____ ft _____ Source of data: _____

Surficial material: _____ Infiltration characteristics: _____

Coefficient Trans: _____ gpd/ft _____ Coefficient Storage: _____

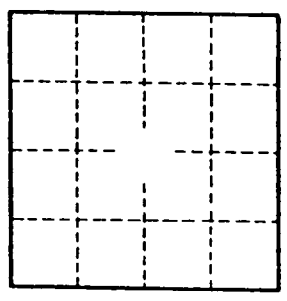
Coefficient Perm: _____ gpd/ft² Spec cap: _____ gpm/ft; Number of geologic cards: _____

0.3 116L

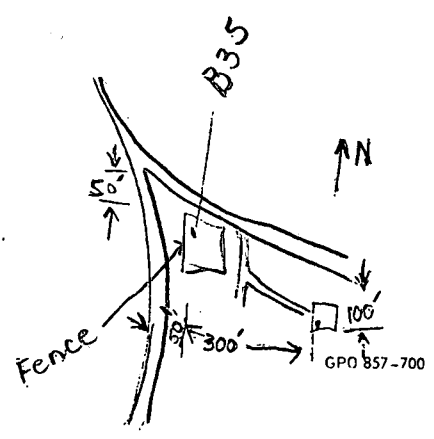
*Gord
OR
PZ

- Red clay 0-40
- Light blue clay 40-80
- Sand 80-152
- Hard up shale flints 152-285
- Blue clay 285-348
- Sand 348-396
- Soft green clay 396-400
- Sand 400-465
- Normal 465-500
- Clay at bottom 500-521
- (MLOC log)

4" casing
100'



Black 189'
21' shelled
2" pipe
Black 21'



Well No.

521

PRENTISS
 B# 35
 2-68
 MISS GEO-SUR

MISSISSIPPI
 BOARD OF WATER COMMISSIONERS
 416 North State Street
 Jackson, Mississippi 39201

WATER WELL DRILLERS LOG

Herndon-Homan Well & Supply, Prentiss
 Feb 20 1968
 date well completed
 STANNOX, MISSISSIPPI
 county well located

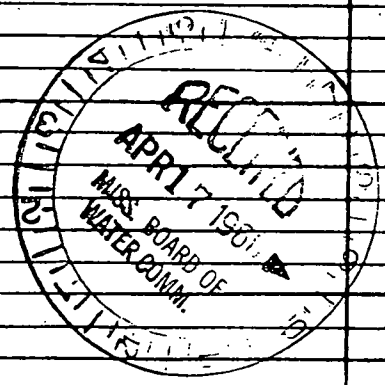
LANDOWNER: <u>Test Well #2</u>	description of formations encountered	from	to
<u>New Candler Water Ass.</u>			
<u>Booneville, Miss.</u> (mailing address)	<u>Red Clay</u>	<u>0</u>	<u>40</u>
	<u>Sandy blue clay</u>	<u>40</u>	<u>80</u>
	<u>Sand</u>	<u>80</u>	<u>152</u>
	<u>Sand w/ shale streak</u>	<u>152</u>	<u>285</u>
	<u>Blue clay</u>	<u>285</u>	<u>348</u>
	<u>Sand</u>	<u>348</u>	<u>396</u>
	<u>Pink quarry clay</u>	<u>396</u>	<u>400</u>
	<u>Sand</u>	<u>400</u>	<u>465</u>
	<u>Gravel</u>	<u>465</u>	<u>500</u>
	<u>Chert</u>	<u>500</u>	<u>521</u>
	<u>Bottom</u>	<u>521</u>	

LANDOWNER: Test Well #2
New Candler Water Ass.
Booneville, Miss.
 (mailing address)

WELL LOCATION:
 sec 25 T 4 N R 7 E
3 1/2 miles NE of Booneville
 (distance) (direction) (nearest town)

WELL PURPOSE: Domestic
 (home, irrigation, municipal, industrial)

- WELL COMPLETION DATA:
- (1) diameter (inches) 4
 - (2) total depth (feet) 521
 - (3) static water level (feet) 208 below top of ground.
 - (4) casing Steel 400'
(material) (depth)
 - 2 If telescope see back.
(size)
 - (5) screen stotted pipe 468 479
(length) (depth to top)
 - 2 steel
(size) (material)
 - (6) pump 2 10
(HP) (yield gpm)
 - electric
(type power)
 - (7) electric log yes
(yes or no)
Miss. Geological Survey
(organization running log)
 - (8) how well bottom plugged 0/W



DRILLERS REMARKS:

Prentiss
B 35
68

MISSISSIPPI
BOARD OF WATER COMMISSIONERS
416 North State Street
Jackson, Mississippi 39201

CODED

WATER WELL DRILLERS LOG

date well completed 1968 Herndon - Roman firm name Prentiss county well located

LANDOWNER:	description of formations encountered	from	to
<u>New Cradler Water Ass.</u>	<u>Red Clay</u>	<u>0</u>	<u>40</u>
<u>Booneville, Miss</u> (mailing address)	<u>Sandy Blue Clay</u>	<u>40</u>	<u>80</u>
	<u>Sand</u>	<u>80</u>	<u>152</u>
	<u>Sand w/ shale streaks</u>	<u>152</u>	<u>285</u>
	<u>Blue Clay</u>	<u>285</u>	<u>348</u>
	<u>Sand</u>	<u>348</u>	<u>376</u>
	<u>Pink Gumbo clay</u>	<u>376</u>	<u>400</u>
	<u>Sand</u>	<u>400</u>	<u>460</u>
	<u>Other</u>	<u>460</u>	
WELL LOCATION:			
sec <u>25</u> T <u>4</u> N R <u>7</u> E			
<u>3 1/2</u> miles <u>NE</u> of <u>Booneville</u>			
(distance) (direction) (nearest town)			
WELL PURPOSE: <u>Communal</u> (home, irrigation, municipal, industrial)			
WELL COMPLETION DATA:			
(1) diameter (inches) <u>8</u>			
(2) total depth (feet) <u>460</u>			
(3) static water level (feet) <u>190</u> below top of ground.			
(4) casing <u>Steel</u> , <u>360</u> , (material) (depth)			
(size) if telescope see back.			
(5) screen <u>42</u> , <u>373</u> (length) (depth to top)			
<u>4</u> , <u>304 Stainless</u> (size) (material)			
(6) pump <u>20</u> , <u>125</u> (HP) (yield gpm)			
<u>electric</u> (type power)			
(7) electric log <u>yes</u> (yes or no)			
<u>Miss. Geological Sur</u> (organization running log)			
(8) how well bottom plugged <u>B/W</u>			
DRILLERS REMARKS:			
<u>Same as test well # 1</u>			
<u>Feb. 20, 1967</u>			

CODED

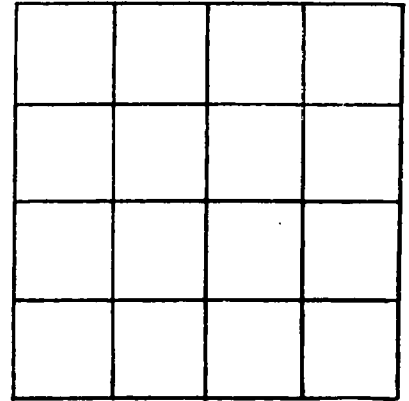
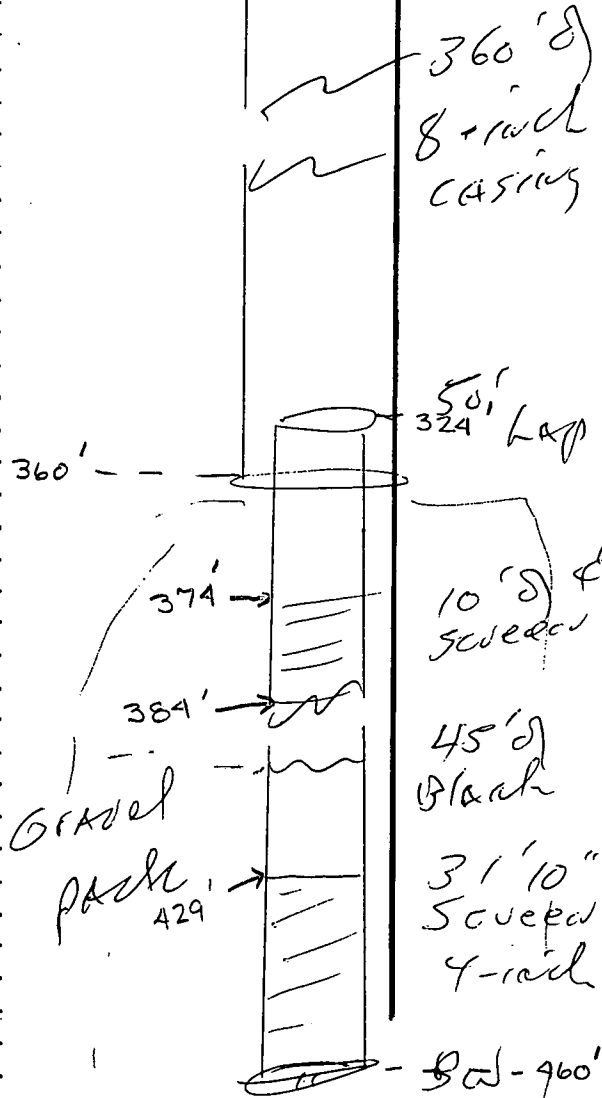
MAR 9 - 1970

MISS. BD. OF
WATER COMM.

↑ must be another
drillers log somewhere

If well telescopes please sketch and show depths.

GROUND LEVEL



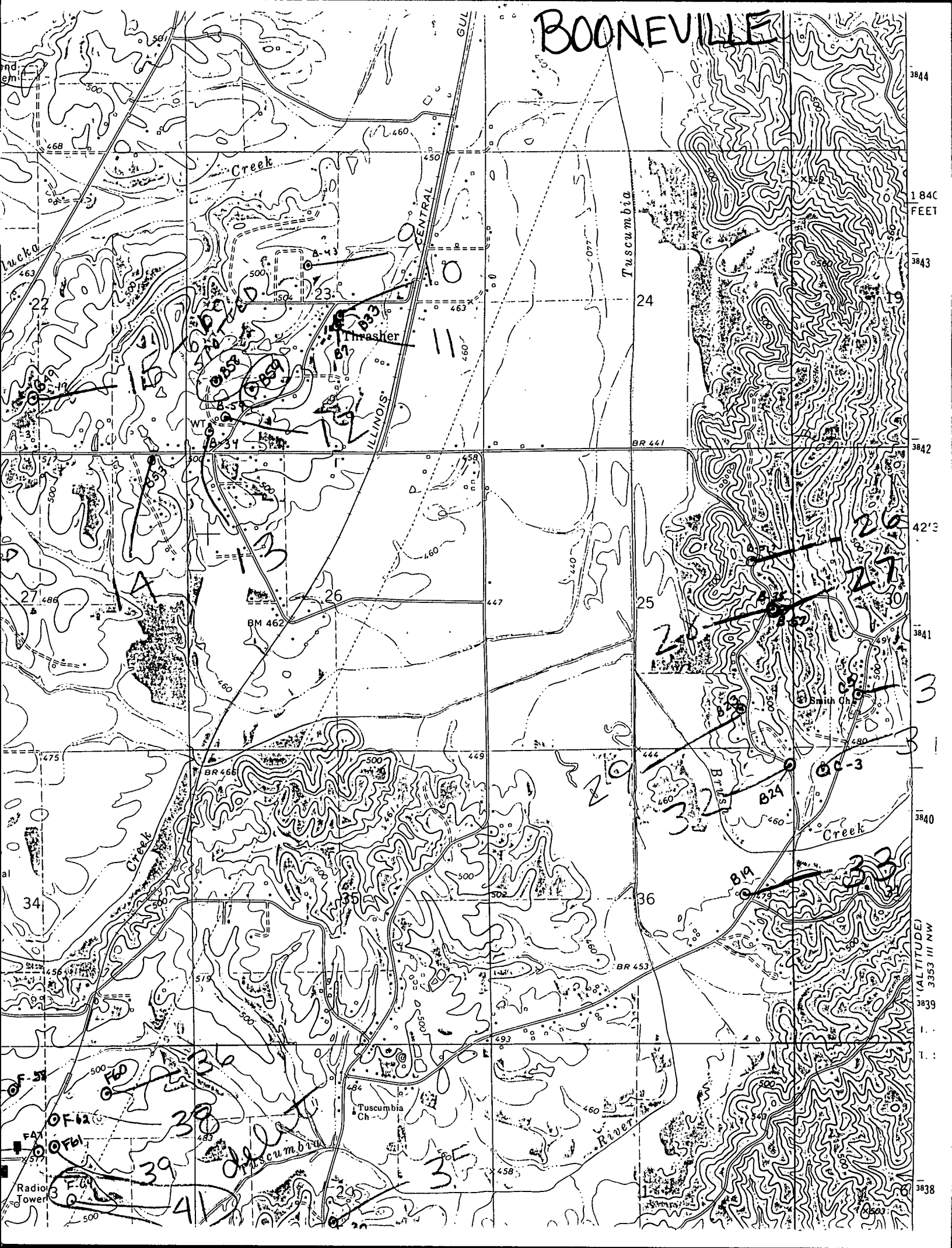
SECTION 25

Please indicate well location X.

ADDITIONAL INFORMATION

If more than one screen, show locations of each on sketch.

BOONEVILLE



3844
184C
FEET
3843
3842
42'3
3841
3
3840
3839
3838

(ALTITUDE)
3353 III NW