

9-185
(October 1950)

UNITED STATES
DEPARTMENT OF THE INTERIOR
GEOLOGICAL SURVEY
WATER RESOURCES DIVISION

308
98
208

Log #35

WELL SCHEDULE

Date 6/11, 1963 Field No. _____
Record by P.E. Grantham Office No. F-22
Source of data D.N.V. + Obser.

1. Location: State Miss County Oktibbeha

Map SW NE 1/4 NW 1/4 sec. 27 T 18 N R 13

2. Owner: Longview Water Ass. Address _____

Tenant _____ Address _____

Driller Robert Ratliff Address _____

3. Topography higher than Railroad

4. Elevation 303 ft. above BM below _____

5. Type: Dug, drilled driven, bored, jetted _____ 1963

6. Depth: Rept. 1759 ft. Meas. _____ ft.

7. Casing: Diam. _____ in., to _____ in., Type _____
Depth _____ ft. Finish _____

8. Chief Aquifer Wood From _____ ft. to _____ ft.
Others _____

9. Water level 98.0 ft. rept. 4/14/64 19 _____ above below surface
air vent which is 1 ft. above below surface

10. Pump: Type Turbine Capacity _____ G. M.

Power: Kind _____ Horsepower 10

11. Yield: Flow _____ G. M., Pump _____ G. M., Meas., Rept. Est.

Drawdown _____ ft. after _____ hours pumping _____ G. M.

12. Use: Dom., Stock, PS, RR., Ind., Irr., Obs. _____

Adequacy, permanence _____

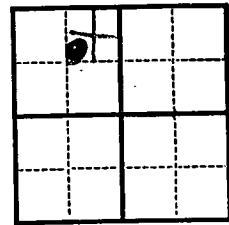
13. Quality _____ Temp _____ °F.

Taste, odor, color _____ Sample Yes _____ No _____

Unfit for _____

14. Remarks: (Log, Analyses, etc.) 18 ohms at 83°F

36 ft long - 5 ft diam. pressure tank



UNITED STATES
DEPARTMENT OF THE INTERIOR
GEOLOGICAL SURVEY
WATER RESOURCES DIVISION

1-17
(October 1960)

WELL SCHEDULE

Date _____ 19 _____

Field No. _____

Office No. _____

Location of Data _____

Map _____

Scale _____

Sheet No. _____

Well No. _____

Well Name _____

Well Type _____

Well Depth _____

Well Diameter _____

Well Construction _____

Well Completion _____

Well Status _____

Well Owner _____

Well Operator _____

Well Production _____

Well Yield _____

Well Water Quality _____

Well Water Quantity _____

Well Water Temperature _____

Well Water Chemistry _____

Well Water Biology _____

Well Water Geology _____

Well Water Hydrology _____

Well Water Meteorology _____

Well Water Climatology _____

Well Water Oceanography _____

Well Water Atmospheric Science _____

Well Water Earth Science _____

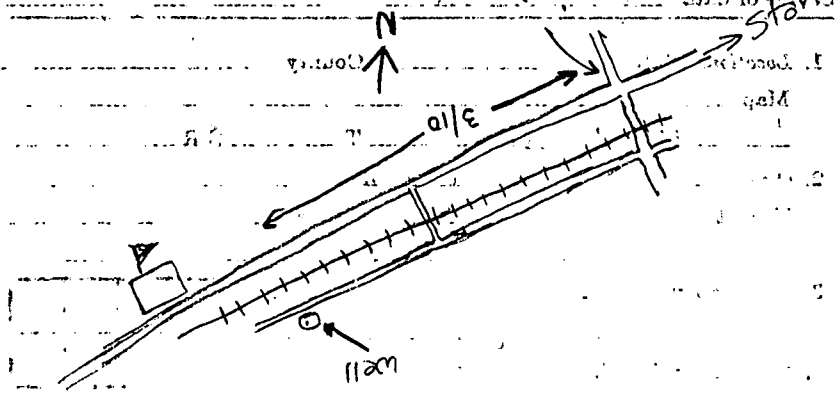
Well Water Environmental Science _____

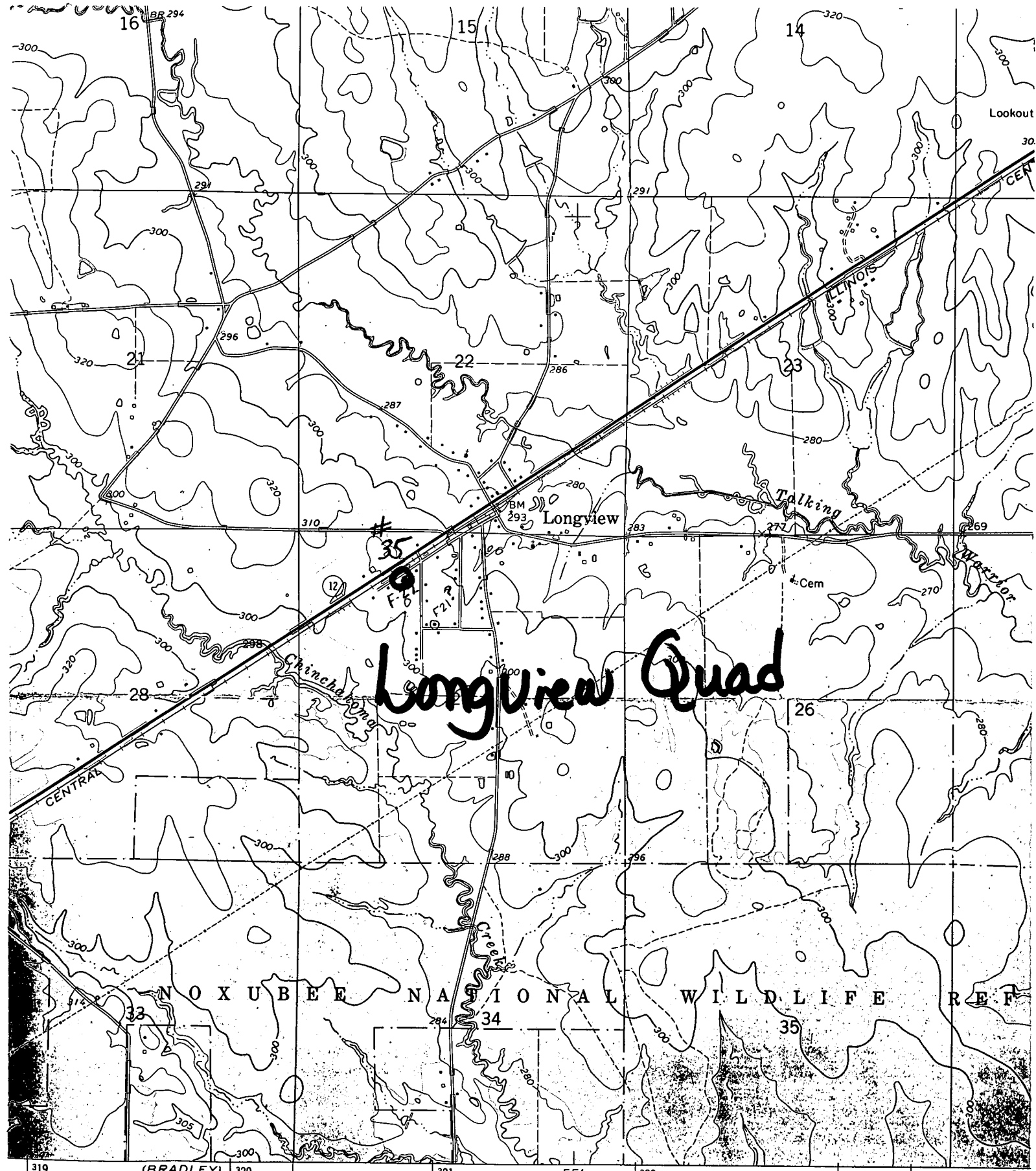
Well Water Interdisciplinary Science _____

Well Water Applied Science _____

Well Water Engineering _____

Well Water Technology _____





Longview Quad

319 (BRADLEY) 320 321 55' 322 323000m.E.

SCALE 1:24 000

0 1 MILE

1000 2000 3000 4000 5000 6000 7000 FEET

5 0 1 KILOMETER

CONTOUR INTERVAL 10 FEET
DATUM IS MEAN SEA LEVEL

MISS.

Heavy-
Mediur