

GW00900  
U.S. GEOLOGICAL SURVEY  
WATER RESOURCES DIVISION  
MISSISSIPPI DISTRICT  
WELL RECORD

TRANSMITTED FOR AD# 184

Recorded by WTO  
Date 5-3-77

E-Log No. 72  
County LOWNDES

Site ID 333052088234901 R=0\* T=A\* 2=W\* Columbia, North  
19 136-C

Data reliab. 3-C\* Report. agency 4-USGS\* Dist. 6-28\* 7-28\* Co. 8-087\*

Lat. 49  
Long. / 9-333052\* 10-0882349\* Well No. 12-5184\*

Location 13-NW SW S 11 T 18 S R 18 W\* Alt. 16-178\*

Hyd. Unit (OWDC) 20- Date 21-05/03/1977\*

Well use 23-W\* Water Use 24-P\* Hole depth 27-920.\* Well depth 28-895.\*

WL 30-1.5.\* Date 31-08/01/1977\* Source 33-S\*

Status 273=Y\*

R=158\* T=A\* Date 159#08/01/1977\* Owner No. Well #2

Owner 161-COLUMBUS

R=192\* T=A\* Date 193#08/01/1977\* Temp. 196#00010\* 197-22.0\*

R=192\* T=A\* Date 193#08/01/1977\* Cond. 196#00095\* 197-85.\*

R=192\* T=A\* Date 193#08/01/1977\* pH 196#00400\* 197-6.0\*

R=58\* T=A\* 59#1\* Date 60-08/01/1977\* Remarks

Drig. 63-330\* Name Herndon Well # Sup Method 65-H\* Finish 66-B\*

R=76\* T=A\* 59#1\*  
Top csgn. 77# 0.\* Bot. csgn. 78-78.2.\* Diam. 79# 1.8.\*

R=76\* T=A\* 59#1\*  
Top csgn. 77# 7.12.\* Bot. csgn. 78-79.5.\* Diam. 79# 1.2.\*

R=82\* T=A\* 59#1\* Top 83# 79.5.\* Bottom 84-89.5.\*

Type 85-S\* Diam. 87-1.2.\* Size 88-.\*

R=82\* T=A\* 59#1\* Top 83# .\* Bottom 84-.\*

Type 85-.\* Diam. 87-.\* Size 88-.\*

R=146\* T=A\* 147# 1\* 150-14.55.\* Q/S 272-.\*

134 flows 146 pumped

10-23-91  
Held 33.0  
Cut 21.83  
Twp 2.7  
Wt 8.47

WELLS OFF  
/ HOUR

R=42\* T= A \* Lift type 43# T\* Intake 44= \* Power type 45= E\*

LIFT

Date 38= 08/01/1977\* H.P. 46= 40.\*

LOGS

R=198\* T= A \* Log 199# E\* Top 200= 30.\* Bot 201= 910.\*

R=198\* T= A \* Log 199# D\* Top 200= 0.\* Bot 201= 920.\*

R=189\* T= A \* E Log No. 190# 072\* 191= M I S S D I S T \*

ANAL.

R=114\* T= A \* Year 115# 1977\* Type 120= B\*

AQUIFERS

R=90\* T= A \* 256# 1\* Top 91= 780.\* Bot 92= 910.\*

Unit ID 93= 211 COXR\* Name of Unit MSSV

R=90\* T= A \* 256# 1\* Top 91= \* Bot 92= \*

Unit ID 93= \* Name of Unit

HYDRAULICS

R=98\* T= A \* 99# 1\* Unit tested 100= \*

103= \*

R=105\* T= A \* 99# 1\* Test No. 106# \*

107= \* Transmissivity (gal/d)/ft

108= \* Hydraul. cond. (gal/d)/ft<sup>2</sup>

110= \* Storage coeff. Boundaries

Loc. at water works

LOWNDES  
G184  
8/77  
Elev #72

MISSISSIPPI  
BOARD OF WATER COMMISSIONERS  
416 North State Street  
Jackson, Mississippi 39201  
WATER WELL DRILLERS LOG

**CODED**

August 1977 Herndon Well & Supply, Inc Lowndes  
date well completed firm name county well located

LANDOWNER: City of Columbus	description of formations encountered	from	to
Columbus, Mississippi	Surface	0	30
Well No. 2	Gumbo and Streaked Sand	30	90
(mailing address)	Gumbo	90	110
	Streaked Rock and Sand	110	120
<b>WELL LOCATION:</b>	Gumbo and Streaked Sand	120	150
sec. 11 T. 18 N. R. 18 E. S. 5 W.	Gumbo and Sand	150	240
Inside miles - of Columbus	Gumbo	240	300
(distance) (direction) (nearest town)	Blue and Pink Gumbo	300	330
<b>WELL PURPOSE:</b> Municipal	Gumbo	330	390
(home, irrigation, municipal, industrial)	Pink Gumbo	390	420
<b>WELL COMPLETION DATA:</b>	Gumbo	420	438
(1) diameter (inches) 18 x 12	Sand and Shale	438	450
(2) total depth (feet) 895 ft.	Sand	450	495
(3) static water level (feet) ±14.5 below top of ground.	Pink Gumbo <b>CODED</b>	495	510
(4) casing Steel, 782' (depth)	Gumbo	510	650
18" (size) if telescope see back.	Sand	650	660
(5) screen 100' (length), 795' (depth to top)	Streaked Sand and Gumbo	660	690
12" (size), Stainless Steel (material)	Gumbo	690	780
(6) pump 40 (HP), 1455 (yield gpm)	Chert	780	810
Electric (type power)	Sand	810	830
(7) electric log yes (yes or no)	Gumbo	830	840
USGS (organization running log)	Sand/White	840	890
(8) how well bottom plugged 12" BWV	Streaked Sand and Gumbo	890	920
<b>DRILLERS REMARKS:</b>			

**RECEIVED**  
AUG 29 1977  
MISS. Bd. OF WATER COM. MS

(X)

If well telescopes please sketch and show depths.

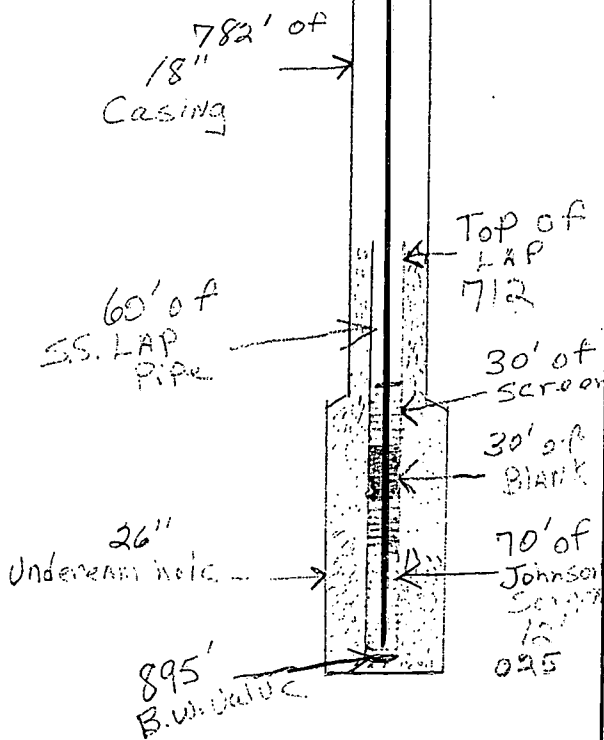
GROUND LEVEL

X			

SECTION 11

Please indicate well location X.

ADDITIONAL INFORMATION



If more than one screen, show locations of each on sketch.

