

WRD Exp. (GW)  
April 1966

Well No. H11

E-log #49

WELL SCHEDULE

U. S. DEPT. OF THE INTERIOR

GEOLOGICAL SURVEY

WATER RESOURCES DIVISION

MASTER CARD

Record by P.E. Grantham Source of data Obs. Date 2/14/67 Map Logtown 1:24,000

State: 28 County Hancock 23

Latitude: 302118 N Longitude: 0893515 Sequential number: 1

Lat-long accuracy: 1 T. 8 S. R. 16 Sec. 15, NW, NE

Local well number: H0118A1508S16W Other number: USGS Research well #1

Local use: 024049 367 27 Owner or name: NASA-MTF

Ownership: County, Fed Gov't, City, Corp or Co, Private, State Agency, Water Dist F

Use of water: (A) Air cond, Bottling, Comm, Dewater, Power, Fire, Dom, Irr, Med, Ind, P S, Rec, (S) Stock, Instit, Unused, Reprressure, Recharge, Desal-P S, Desal-other, Other U

Use of well: (A) Anode, Drain, Seismic, Heat Res, Obs, Oil-gas, Recharge, Test, Unused, Withdraw, Waste, Destroyed Q

DATA AVAILABLE: Well data I Freq. W/L meas.: I Field aquifer char. Z

Hyd. lab. data: C

Qual. water data; type: Complete

Freq. sampling: Q Pumpage inventory: yes Q no: Q period: Q

Aperture cards: D, E

Log data: D, E, Temp, Samples

10/13/82  
WL = 7.85' above LS

4/17/51

6.1' above LS

WELL-DESCRIPTION CARD

SAME AS ON MASTER CARD Depth well: 676 ft 676 Meas. 4

Depth cased: 646 ft 646 Casing type: Blk steel; Diam. 6.4 in 6

Finish: porous concrete, gravel w. (perf.), (screen), gallery, end, (H) open perf., (S) screen, sd. pt., shored, open hole, other S

Method: (A) air bored, (B) cable, dug, (H) hyd jetted, (J) rot., (P) percussion, (R) reverse trenching, (T) driven, (V) drive wash, (W) other H

Date Drilled: 2/14/67 967 Pump intake setting: 967 ft 967

Driller: Sutter Well Works, Pass Christian, Miss.

Lift (type): (A) air, (B) bucket, (C) cent, (J) jet, (L) multiple, (M) multiple, (N) none, (P) piston, (R) rot, (S) submerg, (T) turb, other Q Deep Q Shallow 40

Power (type): (nat) diesel, elec, gas, gasoline, hand, gas, wind; (LP) H.P. Q Trans. or meter no. Q

Descrip. MP Top of 6" collar 1.3 ft above LSD, Alt. MP 22.7

Alt. LSD: 21.4 21 Accuracy: Hand level 1

Water Level 11.42 ft above MP; 11.42 ft below LSD 713 Accuracy: Meas. A

Date meas: 3/10/67 367 Yield: 141 gpm 141 Method determined 4

Drawdown: 51 ft 51 Accuracy: Meas. 0 Pumping period: 8 hrs 8

QUALITY OF WATER DATA: Iron Q Sulfate Q Chloride Q Hard. Q

Sp. Conduct Q K x 10<sup>6</sup> Q Temp. 83 °F 83 Date sampled 3/9/67 367

Taste, color, etc. Clear, no taste

Well No. H11

Well No. H11

Latitude-longitude 30.21.18<sup>N</sup> 089.35.15<sup>S</sup>  
d m s d m s

HYDROGEOLOGIC CARD

SAME AS ON MASTER CARD Physiographic Province: 03 Section: \_\_\_\_\_

Drainage Basin: D 13 V Subbasin: \_\_\_\_\_

Top of well site: (D) depression, stream channel, dunes, flat, hilltop, sink, swamp, (E) (H) (K) (L) (P) (S) (T) (U) (V) offshore, pediment, hillside, terrace, undulating, valley flat F

MAJOR AQUIFER: Tert. system, Plio. series, TIP aquifer, formation/group, G.F. aquifer

Lithology: Unconsol. sd+grav. Origin: 3 Thickness: 60 ft

Length of well open to: 30 ft Depth to top of: 616 ft

MINOR AQUIFER: \_\_\_\_\_ system, \_\_\_\_\_ series, \_\_\_\_\_ aquifer, formation, group

Lithology: \_\_\_\_\_ Origin: \_\_\_\_\_ Thickness: \_\_\_\_\_ ft

Length of well open to: \_\_\_\_\_ ft Depth to top of: \_\_\_\_\_ ft

Intervals Screened: 646-676' 10' of .010" and 20' of .012" (Galv. ww on pipe (Stanclitt))

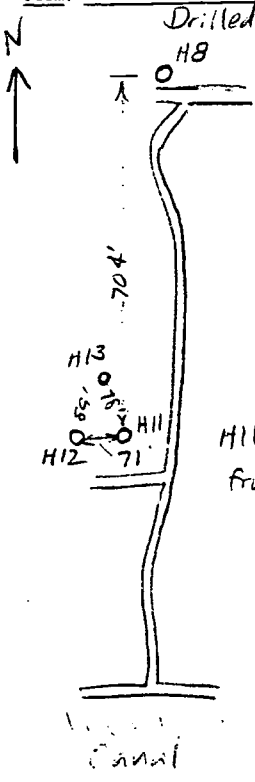
Depth to consolidated rock: \_\_\_\_\_ ft Source of data: \_\_\_\_\_

Depth to basement: \_\_\_\_\_ ft Source of data: \_\_\_\_\_

Surficial material: \_\_\_\_\_ Infiltration characteristics: \_\_\_\_\_

Coefficient Trans: 46.000 gpd/ft 463 Coefficient Storage: \_\_\_\_\_

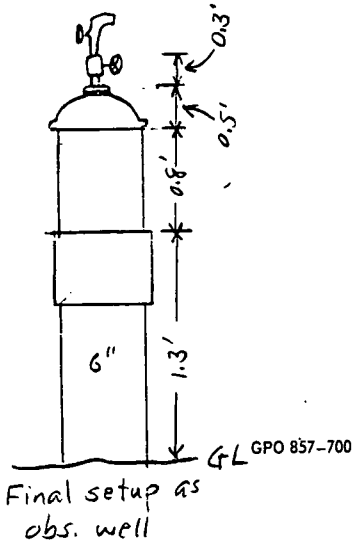
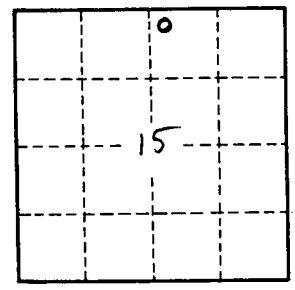
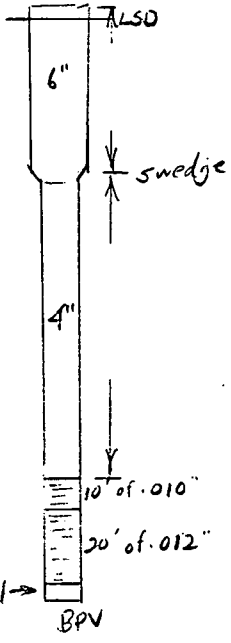
Coefficient Perm: 770 gpd/ft<sup>2</sup>; Spec cap: 2.7 gpm/ft; Number of geologic cards: \_\_\_\_\_



Drilled to 682 Flow 25 gpm 6" casing to 100'

WL dropped to 2' below ls. when H8 pumped a short time.

H11 is about 100' from roads.



Well No. \_\_\_\_\_