

WRD Exp. (GW)
April 1966

TRANSMITTED FOR ADP Well No. H4

WELL SCHEDULE

E-log #32

U. S. DEPT. OF THE INTERIOR

GEOLOGICAL SURVEY

WATER RESOURCES DIVISION

MASTER CARD

Record by Newcome + Grantham Source Driv + obs. Date 12/6/63 Map Logtown 1:24,000

State Miss. County Hancock Sequential number 213

Latitude: 30 21 40 N Longitude: 089 34 59 Sequential number: 1

Lat-long accuracy: 10 T. 8 R. 16 Sec. 10 NE SE

Local well number: H0049AD1008N16W Other number: Indust well 1

Local use: 064032 764 12 Owner or name: N.A.S.A.

Owner or name: NASA MTF Address: Bay St. Louis, Miss.

Ownership: County (F) City, Corp or Co, Private, State Agency, Water Dist F

Use of water: Air cond, Bottling, Comm, Dewater, Power, Fire, Dom, Irr, Med, Ind, P S, Rec, Stock, Instit, Unused, Repressure, Recharge, Desal-P S, Desal-other, (Z) Deflector cooling

Use of well: Anode, Drain, Seismic, Heat Res, Obs, Oil-gas, Recharge, Test, Unused, (W) Withdraw, Waste, Destroyed

DATA AVAILABLE: Well data 1 Freq. W/L meas.: Press. recorder Field aquifer char. Z

Hyd. lab. data: None

Qual. water data; type: Complete chem. anal.

Freq. sampling: Every 2 years Pumpage inventory: no period: yes

Aperture cards: yes

Log data: E-log + drillers log

WELL-DESCRIPTION CARD

SAME AS ON MASTER CARD Depth well: 1873 ft 1873 meas. USCE accuracy 0

Depth cased: 1803 ft 1803 Casing type: Steel; Diam. 18 in

Finish: porous concrete, gravel w. (G) screen, horiz. gallery, end, other G

Method: (A) air, (B) bored, (C) cable, (D) dug, (H) hyd, (J) jetted, (P) air, (R) reverse, (T) trenching, (V) driven, (W) drive, (Z) wash, other H

Date Drilled: 11/63 963 Pump intake setting: 226 ft 226

Driller: Layne-Central, Jackson, Miss.

Lift (type): (A) air, (B) bucket, (C) cent, (J) jet, (L) multiple, (M) multiple, (N) none, (P) piston, (R) rot, (S) submerg, (T) turb, other T Deep D Shallow 40

Power (type): (elec) gas, gasoline, hand, gas, wind; H.P. 300 Trans. or meter no. W

Descrip. MP at gage 3 ft above LSD. Alt. MP 21.5

Alt. LSD: 18.5 18 Accuracy: Inst. level

Water Level 101 ft above MP; Ft above LSD +104 Accuracy: Press. gage Method H

Date meas: 764 Yield: 3560 gpm 3550 Method 4

Drawdown: 300 ft 300 Accuracy: 0 Pumping period 24 hrs 24

QUALITY OF WATER DATA: Iron 0 Sulfate 0 Chloride 0 Hard. 0

Sp. Conduct 460 K x 10 3 Temp. 100 °F 100 Date sampled 10/11/65 065

Taste, color, etc.

10/13/82
WL: 66.6 above LS
T = 37°
Cond = 560
PH = 8.8

Well No. H4

Well No. H4

Latitude-longitude 30 21 40 ^N 089 34 59.1
d m s d m s

HYDROGEOLOGIC CARD

SAME AS ON MASTER CARD Physiographic Province: Coastal Plain Section: East Gulf

Coastal Plain D Drainage Basin: 13V Subbasin: 26

Topo of well site: (D) depression, (C) stream channel, (E) dunes, (F) flat, (H) hilltop, (K) sink, (L) swamp, (P) offshore, (S) pediment, (T) hillside, (U) terrace, (V) undulating, valley flat. F

MAJOR AQUIFER: Tertiary system, Miocene series, Undif. aquifer, formation, group, MZ

Lithology: Med-grained sand, 3S Origin: Deltaic, 3 Aquifer Thickness: 180 ft

180 Length of well open to: 70 ft, 70 Depth to top of: 1800 ft, ASO

MINOR AQUIFER: _____ system, _____ series, _____ aquifer, formation, group, _____

Lithology: _____ Origin: _____ Aquifer Thickness: _____ ft

Length of well open to: _____ ft, _____ Depth to top of: _____ ft

Intervals Screened: 1803-1873, .030"

Depth to consolidated rock: _____ ft, Source of data: _____

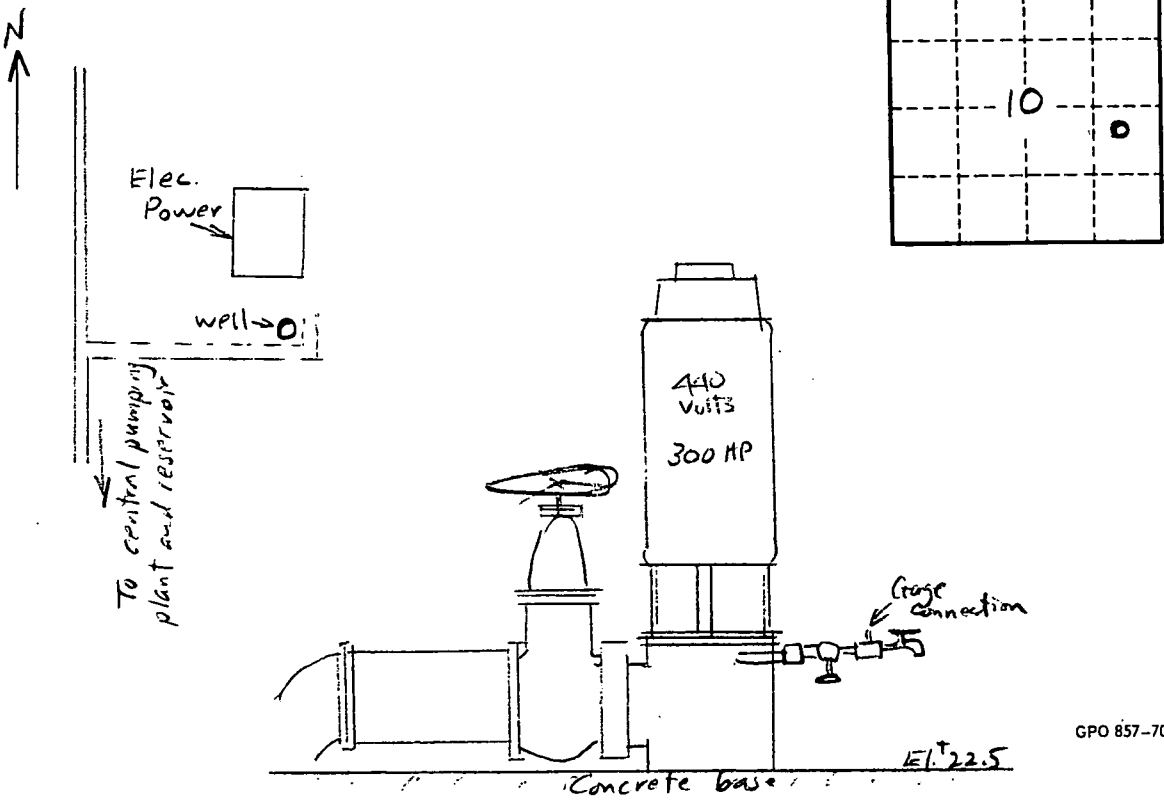
Depth to basement: _____ ft, Source of data: _____

Surficial material: _____ Infiltration characteristics: _____

Coefficient Trans: 100,000 gpd/ft, 104 Coefficient Storage: _____

Coefficient Perm: 550 gpd/ft²; Spec cap: 12 gpm/ft; Number of geologic cards: _____

Screen 12 3/8" shutter type Casing 18x12
Flow yield 1300 gpm Gravel walled



Well No. H4