

DEQ

MISSISSIPPI DEPARTMENT OF ENVIRONMENTAL QUALITY

Office of Land and Water Resources

P. O. Box 10631

Jackson, MS 39289-0631

WATER WELL DRILLERS LOG

COUNTY WELL LOCATED  
**WAYNE**

WELL NUMBER **S100** CODED

DATE WELL COMPLETED  
**JUNE 6, 1994**

PERMIT NUMBER  
**14771**

NAME OF DRILLING FIRM  
**A-1 DRILLING SERV. INC**

**LADREL, MS**

NAME & MAILING ADDRESS OF LANDOWNER  
**CLARA WATER ASSN**

**P.O. Box 134**

**CLARA, MS 39324**

WELL LOCATION: SEC **10** TOWNSHIP **7 N** RANGE **7 W**

DISTANCE **1.1** Miles DIRECTION **NE** of NEAREST TOWN **CLARA**

OTHER LANDMARK  
**IN EXIST. WELL YARD**

WELL PURPOSE: Home, Irrigation,  Municipal, Industrial, Fish Pond, etc.

PUMP DATA

PUMP TYPE (Circle One):  
 Submersible,  Turbine,  Jet,  Flowing Well,  
Other (Describe) \_\_\_\_\_

POWER TYPE (Circle One):  
 Electric,  Tractor,  Diesel,  Gasoline,  Butane,  
Other (Describe) **25** H/P **230/130**

Pump Capacity (GPM) **242 @ 50 FT** No. of Stages **10** Setting Depth **252** FT.

PUMP TEST

Well yielded \_\_\_\_\_ GPM with  
a drawdown of \_\_\_\_\_ ft.  
after \_\_\_\_\_ hours of pumping

WELL DATA

Well Depth **334'** Casing Diameter (In.) **8" PS** Casing Length (FT.) **299'**

Type of Casing **EPOXY CHD TAC** Hole Depth **334'** Depth to Static Water Level **135 (access pipe)**

TYPE OF COMPLETION: (Circle One or More):  
 Gravel Packed,  Underreamed,  Telescoped,  
 Natural Development,  Open Hole,  Other

LOG DATA

TYPE OF LOG RUN (Circle One): No Log Run,  Electric,  Gamma Ray,  Density,  Sonic,  Neutron,  
Other (Describe) \_\_\_\_\_

Name of Organization Running Log  
**DEQ / OFFICE OF GEOLOGY**

GEOLOGIC DATA (Office Use Only)

Surface Elev.	Geologic Unit	Unit Thickness	Depth to Top
Subs. SWL	Date	Analysis	Aquifer Test

WELL GROUTED TO A DEPTH OF **299** FEET  
Type Grout (circle one): Cement, Bentonite, or Mix

SCREEN DATA

Diameter - Inches **6" PS** Length - Feet **31** Slot Size - Inches **.007"**

Screen Type **Bar weld st. steel** Depth to Bottom - Feet **334'**

Driller's Remarks

**334'  
304'  
303'**

DESCRIPTION OF FORMATIONS ENCOUNTERED	FROM	TO	FORMATIONS (Continued)	FROM	TO
Top soil	1	1	Clay, sandy, lt gray	126	130
Clay, sandy, orange	1	12	Clay, lt gray	130	156
Clay, tan	12	28	Clay, sandy	156	201
Sand	28	41	Sand,	201	211
Sand w/ white clay	41	52	Clay, sandy, gray	211	218
Clay, tan	52	61	Sand	218	224
Clay, lt gray	61	86	Clay, sandy, gray	224	229
Sand & clay mixed	86	92	Sand	229	241
Clay, gray	92	104	Clay, sandy, gray	241	252
Clay, sandy	104	114	Sand	252	259
Sand	114	126			

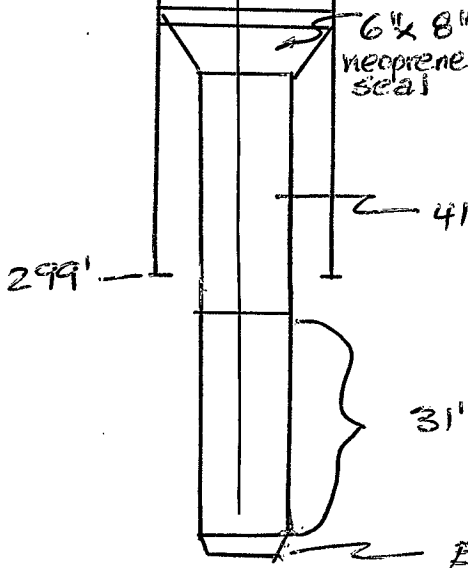
IF MORE SPACE IS NEEDED, USE BACK

If well telescopes please sketch and show depths.

GROUND LEVEL

SWC = -135 from top of access pipe

8" T&C casing epoxy coated on inside



NTS

If more than one screen, show location of each on sketch.

	X		

SECTION 10

Please indicate well location X.

ADDITIONAL INFORMATION

257-263 Clay, sandy, gray  
 263-274 Sand  
 274-281 Clay, gray  
 281-285 Sand & clay strk  
 285-331 Sand, fine to med.  
 331-334 Clay, gray

41' of 6in inner casing.  
 304 St steel

31' of 6" ps st. steel screen  
 x .007" @ 303-334'

Basketish valve