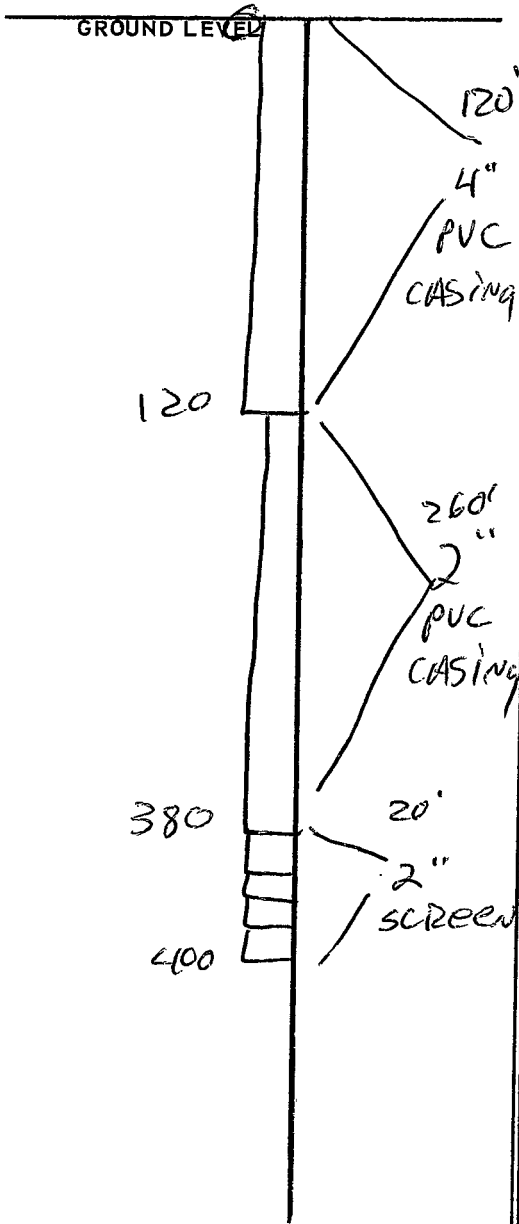


If well telescopes please sketch and show depths.



	X		

SECTION 1

Please indicate well location X.

ADDITIONAL INFORMATION

If more than one screen, show locations of each on sketch.