

MISSISSIPPI DEPARTMENT OF NATURAL RESOURCES

Bureau of Land and Water Resources

Southport Mall

P.O. Box 10631

Jackson, Mississippi 39209

WATER WELL DRILLERS LOG

WASHINGTON
 G
 2004

6-10 1985 Schultz Drilling WASHINGTON
 date well completed firm name county well located

LANDOWNER: Ted Young
 HWY 1 N
 Greenville, MS
 (mailing address)

WELL LOCATION:
 sec. 6 T 17 N R 8 E
 4 S of Greenville
 (distance) miles (direction) of (nearest town)

WELL PURPOSE: Race Track
 (home, irrigation, municipal, industrial)

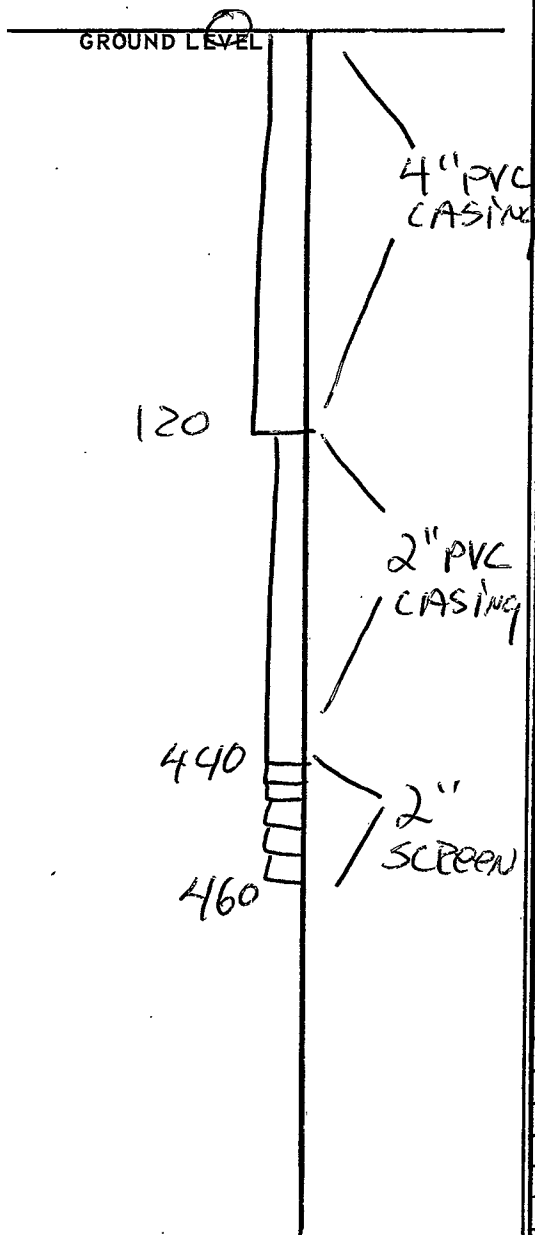
WELL COMPLETION DATA:
 (1) diameter (inches) 4" x 2"
 (2) total depth (feet) 460'
 (3) static water level (feet) 32' below above top of ground.
 (4) casing PVC 440' (material) (depth)
 (size) if telescope see back.
 (5) screen 20' 440' (length) (depth to top)
 2" PVC (size) (material)
 (6) pump 1 20 (HP) (yield gpm)
 ele (type power)
 (7) electric log NO (yes or no)
 (organization running log)
 (8) how well bottom plugged b/w

description of formations encountered	from	to
CLAY	0	20
SAND + GRAVEL	20	90
CLAY	90	160
SHALE	160	400
SAND	400	460

RECEIVED
 DEC 3 1985

DRILLERS REMARKS:

If well telescopes please sketch and show depths.



			X

SECTION 6

Please indicate well location X.

ADDITIONAL INFORMATION

If more than one screen, show locations of each on sketch.