

WASHINGTON
E 2033

MISSISSIPPI DEPARTMENT OF NATURAL RESOURCES
Bureau of Land and Water Resources
Southport Mall
P.O. Box 10631
Jackson, Mississippi 39209
WATER WELL DRILLERS LOG

2-3 1987 date well completed
Schultz Drilling firm name
Washington county well located

LANDOWNER: George McClain
Stoneville Road
Stoneville MS
(mailing address)

description of formations encountered	from	to
clay	0	20
sand	20	100
sand & gravel	100	196
clay	196	300
sand	300	350
shale	350	400
sand	400	480

WELL LOCATION:
sec. 11 T-18 N S R-7 E W
2 miles EAST of Stoneville
(distance) (direction) (nearest town)

WELL PURPOSE: home
(home, irrigation, municipal, industrial)

WELL COMPLETION DATA:

(1) diameter (inches) 4 1/2

(2) total depth (feet) 480

(3) static water level (feet) 32 (below above top of ground)

(4) casing PVC 400
(material) (depth)
2" (size) if telescope see back.

(5) screen 20' 400'
(length) (depth to top)
2" (size) PVC (material)

(6) pump 1 20
(HP) (yield gpm)
electric (type power)

(7) electric log no
(yes or no)

(organization running log)

(8) how well bottom plugged B/W

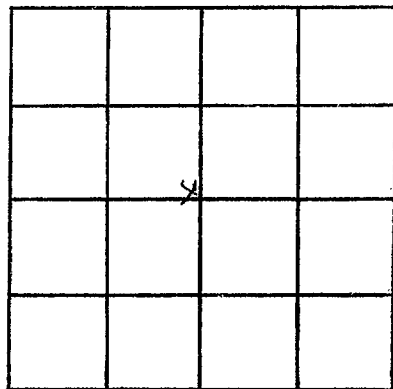
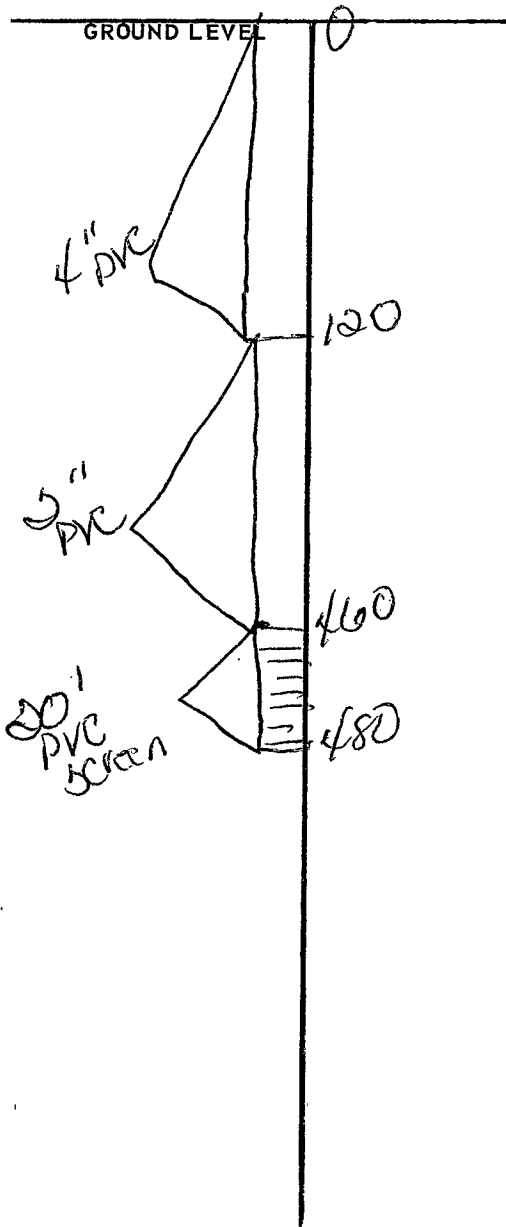
RECEIVED

FEB 06 1987

Department of Natural Resources
Bureau of Land & Water Resources

DRILLERS REMARKS:

If well telescopes please sketch and show depths.



SECTION 11

Please indicate well location X.

ADDITIONAL INFORMATION

Lined area for additional information.

If more than one screen, show locations of each on sketch.