

MISSISSIPPI DEPARTMENT OF NATURAL RESOURCES

Bureau of Land and Water Resources

Southport Mall

P.O. Box 10631

Jackson, Mississippi 39209

WATER WELL DRILLERS LOG

WASHINGTON
A 2018

4-14 1988

Schultz Drilling

Washington

date well completed

firm name

county well located

LANDOWNER: Rusty Flowers
755 S. Ferguson Rd
Humboldt Mo. 68701
(mailing address)

description of formations encountered

from

to

CLAY	0	20
SAND	20	110
CLAY	110	220
SHALE	220	320
SAND	320	400

WELL LOCATION:

sec. 14 T 19 N R 8 E
5 miles N of Grille
(distance) (direction) (nearest town)

WELL PURPOSE: HOME
(home, irrigation, municipal, industrial)

WELL COMPLETION DATA:

- (1) diameter (inches) 4 1/2"
- (2) total depth (feet) 400
- (3) static water level (feet) 51 below top of ground.
- (4) casing PVC 380' (material) (depth)

(size) If telescope see back.

- (5) screen 20' 380' (length) (depth to top)
2" PVC (size) (material)

- (6) pump 1 20 (HP) (yield gpm)
elc (type power)

- (7) electric log NO (yes or no)

(organization running log) X

- (8) how well bottom plugged B/W

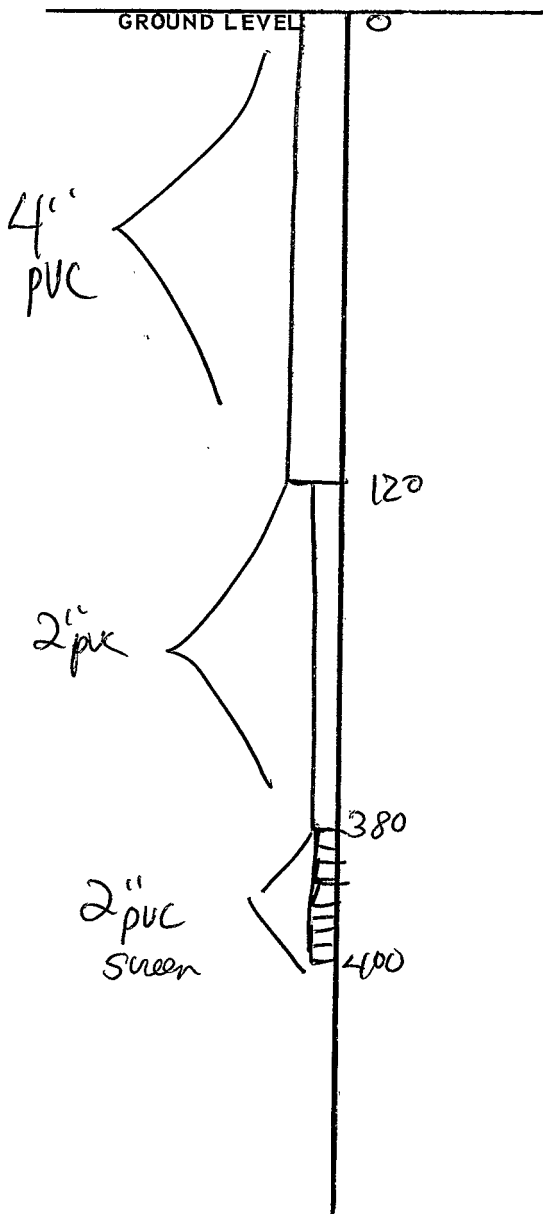
RECEIVED

JUN 16 1988

Department of Natural Resources
Bureau of Land & Water Resources

DRILLERS REMARKS:

If well telescopes please sketch and show depths.



	X		

SECTION 18

Please indicate well location X.

ADDITIONAL INFORMATION

If more than one screen,
show locations of each on sketch.