

WASHINGTON  
A 2013

MISSISSIPPI DEPARTMENT OF NATURAL RESOURCES

Bureau of Land and Water Resources

Southport Mall

P.O. Box 10631

Jackson, Mississippi 39209

WATER WELL DRILLERS LOG

2-10-1987 Schultz Drilling Washington  
date well completed firm name county well located

LANDOWNER: Phillip Buc HANON  
P.O. Box 473  
Greenville, MS  
(mailing address)

description of formations encountered	from	to
CLAY	0	20
SAND + GRAVEL	20	110
SHALE	110	200
SAND	200	220
SHALE	220	320
SAND	320	360

WELL LOCATION:  
sec. 29 T19 N R 8 E  
3 miles N of Greenville  
(distance) (direction) (nearest town)

WELL PURPOSE: HOME  
(home, irrigation, municipal, industrial)

WELL COMPLETION DATA:

- (1) diameter (inches) 4"x2"
- (2) total depth (feet) 360'
- (3) static water level (feet) 36' below top of ground
- (4) casing (material) PVC (depth) 340'
- (5) screen (size) 2" (length) 20' (depth to top) 340'
- (6) pump (size) 1 (HP) 20 (yield gpm) PVC (type power) ele
- (7) electric log yes (yes or no) STATE of MS (organization running log)
- (8) how well bottom plugged 1/2

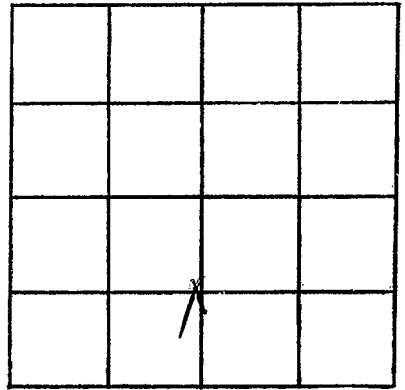
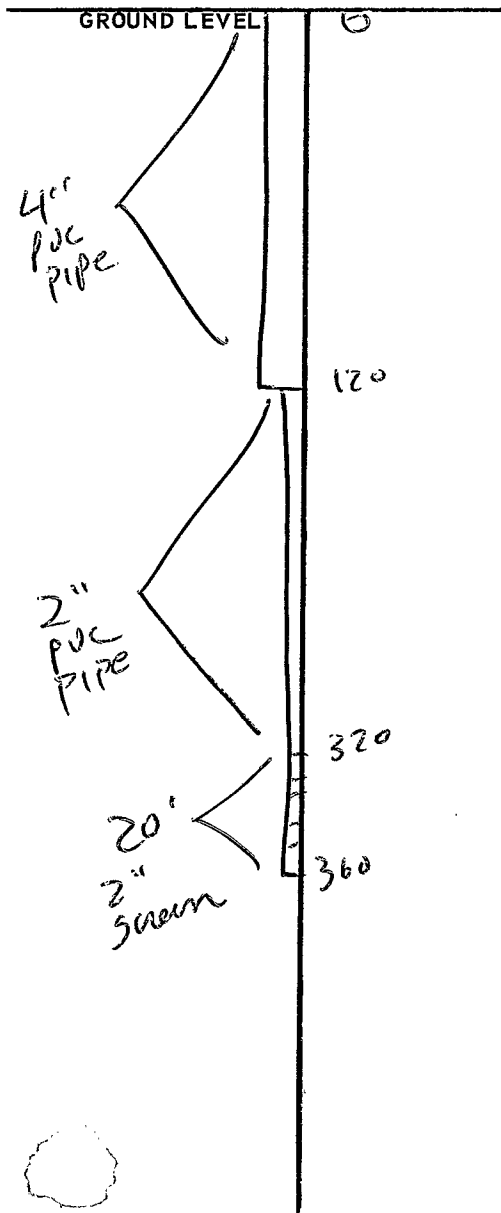
RECEIVED

MAR 12 1987

Department of Natural Resources  
Bureau of Land & Water Resources

DRILLERS REMARKS:

If well telescopes please sketch and show depths.



SECTION 29

Please indicate well location X.

ADDITIONAL INFORMATION

Lined area for additional information.

If more than one screen, show locations of each on sketch.