

E34

MSGW-15749

MISSISSIPPI DEPARTMENT OF ENVIRONMENTAL QUALITY

Office of Land and Water Resources

P. O. Box 10631  
Jackson, MS 39289-0631

WATER WELL DRILLERS LOG

COUNTY WELL LOCATED Date	
WELL NUMBER 2	CODED
<del>██████████</del>	
DATE WELL COMPLETED 4/29/2002	

PERMIT NUMBER MSGW-15749
NAME OF DRILLING FIRM Layne Central
Memphis

NAME & MAILING ADDRESS OF LANDOWNER  
Cottonville Savage Water Assoc  
211 Bluff, Coldwater, MS. 38618

Latitude: 34° 39' 42" N  
Longitude: 90° 11' 02" W

WELL LOCATION. SEC 7 TOWNSHIP 5 N RANGE 9 E

DISTANCE 1 Miles DIRECTION North of NEAREST TOWN Cottonville

OTHER LANDMARK  
Cottonville Savage Pressure Tank

WELL PURPOSE: Home, Irrigation, Municipal, Industrial, Fish Pond, etc.  
Municipal Water Supply

PUMP DATA

PUMP TYPE (Circle One):  
Submersible, **Turbine.** Jet Flowing Well,  
Other (Describe) \_\_\_\_\_

POWER TYPE (Circle One):  
**Electric.** Tractor, Diesel, Gasoline, Butane,  
Other (Describe) \_\_\_\_\_ H/P \_\_\_\_\_

DESCRIPTION OF FORMATIONS ENCOUNTERED	FROM	TO
SEE ATTACHED		

RECEIVED

JUL 22 2003

BY: OLWR

Top of Lap Pipe or Reduction in Casing  
1560' FEET IF TELESCOPED OR MORE THAN ONE SCREEN: USE BACK PAGE

WELL DATA

Well Depth 1684'	Casing Diameter (In.) 10"	Casing Length (Ft.) 1615
Type of Casing Steel	Hole Depth 1684'	Depth to Static Water Level 118'

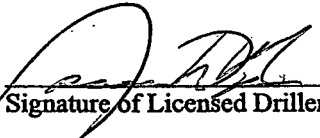
TYPE OF COMPLETION: (Circle One or More):  
**Gravel Packed.** **Underreamed.** Telescoped,  
Natural Development, Open Hole, Other  
(Describe) \_\_\_\_\_

WELL GROUTED TO A DEPTH OF 1615 FEET  
Type Grout (circle one): Cement, Bentonite, or Mix

SCREEN DATA

Diameter - Inches 6"	Length - Feet 60'	Slot Size - Inches 20 Slot
Screen Type 304 Stainless	Depth to Bottom - Feet 1680	

I certify that the well was drilled, constructed and completed in accordance with all applicable Requirements of the Mississippi Department of Environmental Quality and/or the Mississippi Department of Health regulations and state laws.

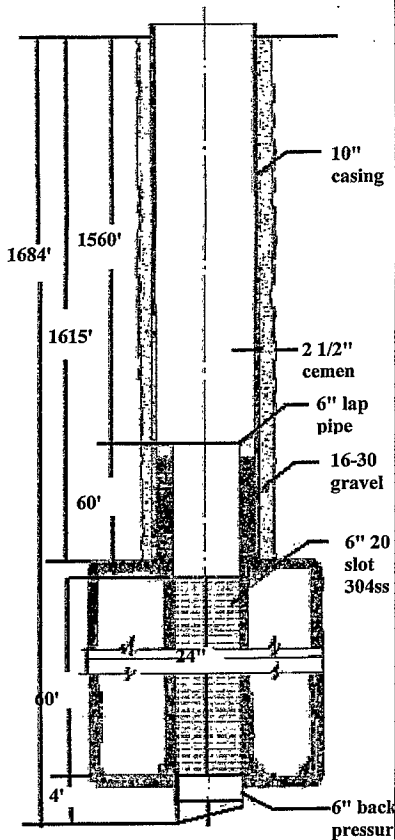
 0-064  
Signature of Licensed Driller and License No.

7/14/03  
Date

If well telescopes please sketch and show depths.

GROUND LEVEL

Drawing of the Well



If more than one screen, show location of each on sketch.

		X	

SECTION \_\_\_\_\_

Please indicate well location X.

Pump Capacity (GPM)	No. of Stages	Setting Depth	FT.
175	14	170	
PUMP TEST			
Well yielded <u>226</u> GPM with			
a drawdown of <u>15.6</u> ft.			
after <u>25</u> hours of pumping			

LOG DATA

TYPE OF LOG RUN (Circle One):  Electric,  Gamma Ray,  Density,  Sonic,  Neutron,  No Log Run,  Other (Describe) \_\_\_\_\_

Name of Organization Running Log  
Layne Central Co.

GEOLOGIC DATA (Office Use Only)

Surface Elev.	Geologic Unit	Unit Thickness	Depth to Top
Subs. SWL	Date	Analysis	Aquifer Test

Driller's Remarks

Development of Natural Clays to 12 Months. Well is pumping clear.