

# STATE WELL REPORT

400

County: Tallahatchie  
 Permit #: MS-GW-17339  
 Driller: John V Thompson  
 Date drilling completed: 6-1-19

**Part 1**  
**Driller's Log**  
 Mississippi Department of Environmental Quality  
 Office of Land and Water Resources  
 P.O. Box 2309  
 Jackson, MS 39225-2309  
 (601)961-5555  
 (601)961-5228 (fax)

**For Office Use Only:**

Well #: R16  
 Aquifer: \_\_\_\_\_  
 E-Log #: \_\_\_\_\_

**RECEIVED**  
**01-16-2020**  
**BY OLWR**

*State Law requires that this report be prepared by the license holder responsible for the work and filed with the Department at the above address within 30 days of completion of drilling of the well or borehole.*

Well Owner Information <small>(Landowner if borehole is not for a water well)</small>	Well or Borehole Location
Owner Name: <u>Cascilla Water Association</u>	Latitude: <u>N33°51'45"</u> Longitude: <u>W90°00'14"</u>
Mailing Address: <u>994 Cascilla rd</u> <u>Cascilla MS 38920</u>	Method of Lat/Long (check one): Conventional Survey _____ USGS quad _____, Hand-held GPS _____, Survey-grade GPS _____
City _____ State _____ Zip Code _____	<u>SE</u> ¼ <u>NW</u> ¼, Sec <u>17</u> T <u>23N</u> R <u>3E</u>
Telephone No. (____) _____	<u>5</u> Miles <u>NW</u> of <u>Cascilla</u> (Distance) (Direction) (Nearest Town)

**Well / Borehole Data**

Date drilling started: 1-1-19 Date drilling completed: 6-1-19 Hole depth: 1500 Hole diameter: 17 3/4

Location of the source of any surface water used for drilling: hydrant

Method of dosing and volume of Chlorine used in drilling and development: \_\_\_\_\_

Logs run (check all applicable):  log run  Electric  Gamma Ray  Density  Sonic  Neutron Other: \_\_\_\_\_

Name of organization running log(s): Teaco

Purpose of borehole (check one): Water Well  Geotechnical/Geological Investigation  Ground Source Heat Pump  Seismic Survey Other (describe) \_\_\_\_\_

*If drilling is not related to water well construction, skip the remainder of this block*

Purpose of Well (check all applicable):  Home  Industrial  Public Supply  Irrigation  Fish Culture

Other (describe): \_\_\_\_\_

If a flowing well, method of flow regulation: Valve \_\_\_\_\_ Other (describe) \_\_\_\_\_

Static Water Level: 237 feet  above or  below land surface Date measured: 6-5-19  
(check one)

Method of measurement (check one)  Steel tape  Electric tape  Air line  Other (describe): \_\_\_\_\_

Well depth: ~~1264~~ <sup>1313</sup> 1264 Well grouted to a depth of: 1238 feet Type of grout (check one)  Neat Cement  Bentonite  Mix

Casing length: 1238 feet Casing diameter: 12 3/4 inches Type of casing: Steel

Screen length: 43 feet Screen diameter: 8 inches Type of screen: 6x8 minipac

Screen slot size: .008 inches Setting depth: From 1264 feet to 1307 feet

Type of completion (check all applicable)  gravel packed  Underreamed  Open hole  Natural Development

Other (describe): \_\_\_\_\_

Top of lap pipe or reduction in casing: 1179 feet

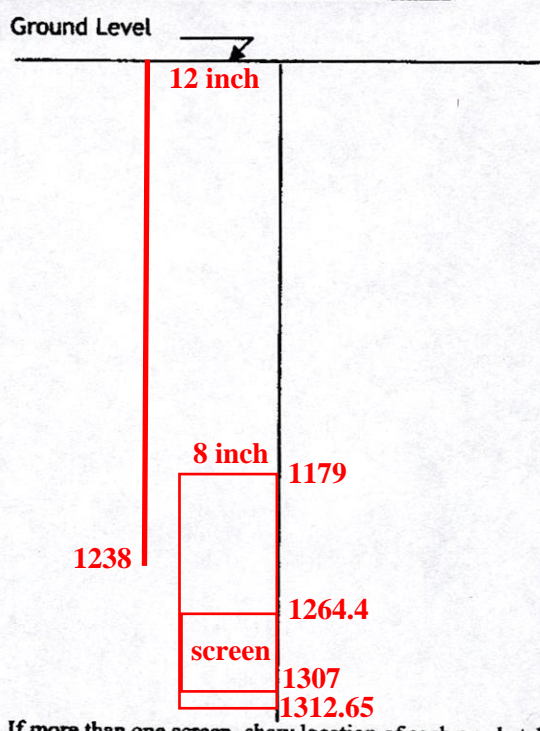
*If telescoped or more than one screen, describe on next page*

County: Tallahatchie  
 Permit #: MS-GW-17339

**RECEIVED**  
**01-16-2020**  
**BY OLWR**

**For Office Use Only:**  
 Well #: R16

The sketch below only required for water wells  
If well telescopes, show depths on sketch.



If more than one screen, show location of each on sketch

Description of formations encountered must be provided for all wells  
and boreholes, unless specifically exempted by regulations

Description of Formations Encountered	From (depth)	To (depth)
Clay	Ground level	45
sand + gravel	45	120
sand + clay	120	250
clay	250	390
fine sand + clay	390	580
clay	580	700
clay + silt	700	740
clay + lignite	740	780
fine sand + clay	780	820
clay	820	940
fine sand	940	960
clay	960	1070
rock	1070	1072
clay	1072	1140
fine sand	1140	1150
rock	1150	1155
clay	1155	1230
sand	1230	1245
clay	1245	2260
sand	1260	1310
clay	1310	1500

Sketch the property layout and include the following:

- 1) the well location
- 2) any permanent structures on the property that may aid in locating the well
- 3) any roads, power lines, or other items that may aid in locating the property and the well
- 4) north arrow

Landowner Name: \_\_\_\_\_

I HEREBY CERTIFY that the well/borehole was drilled, constructed, and completed in accordance with all applicable requirements of the Mississippi Department of Environmental Quality and the Mississippi Department of Health regulations, if applicable, and state laws.

John W Thompson 0-677  
 Print Name of Responsible Licensee and License No.

Date

John W Thompson  
 Signature of Licensee

# STATE WELL REPORT

## Part 2

**Pump Installer's Completion Report**  
Mississippi Department of Environmental Quality  
Office of Land and Water Resources  
P.O. Box 2309  
Jackson, MS 39225-2309  
(601)961-5210  
(601) 360-0535 (fax)

### For Office Use Only:

Well #: R 16

Aquifer: \_\_\_\_\_

RECEIVED

01-16-2020

OLWR

County: Tallahatchie  
Permit #: MS-GW-17339  
Driller: John W Thompson  
Date completed: 12-28-19  
*Copy information from block on Part 1*

*This part of the report must be completed by a licensed water well contractor or a licensed pump installer. A copy of Part 1 of the report must be attached and both parts filed with the Department at the above address within 30 days of well completion.*

Well Owner Information			Well Location		
Owner Name: <u>Cascilla Water Association</u>			Latitude: <u>33° 51' 45"</u> Longitude: <u>90° 00' 14"</u>		
Mailing Address: <u>994 Cascilla Rd</u> <u>Cascilla, MS 38920</u>			Method of Lat/Long (check one): Conventional Survey _____, USGS quad _____, Hand-held GPS _____, Survey-grade GPS _____		
City	State	Zip Code	<u>SE</u> $\frac{1}{4}$ <u>NW</u> $\frac{1}{4}$ , Sec <u>17</u> T <u>23N</u> R <u>3E</u>		
Telephone No. ( ) _____			<u>.5</u> Miles <u>NW</u> of <u>Cascilla</u> (Distance) (Direction) (Nearest Town)		

**Pump Type (check one)**  
Submersible  Turbine  Air Lift  Centrifugal  Flowing Well  Jet  Piston  Rotary  Other (describe): \_\_\_\_\_  
Date Pump Installed: 12-28-19 Rated Pump Capacity: 300 Gallons Per Minute  
Is This Pump (check one):  New  Repaired  Replacement

**Power Type (check one)**  
Electric  Diesel  Gasoline  Natural Gas  Tractor PTO  Windmill  Other (describe): \_\_\_\_\_  
Horse Power Rating of Motor: 60 Setting Depth: 334 feet Number of Stages: 8

**Pump Test Data for Non Flowing Well**  
Date Well Tested: 6-5-19 Duration of Pump Test (minimum 4 hours): 24 hours  
Static Water Level (A): 237 Feet Below Land Surface Pumping Water Level (B): 305 Feet Below Land Surface  
Drawdown [(B) - (A)]: 65 Feet Below Land Surface Test Pumping Rate: 302 Gallons Per Minute  
Method of measurement (check one): Steel tape  Electric tape  Air line  Other (describe): \_\_\_\_\_

**Pump Test Data for Flowing Well**  
Measured shut in head: \_\_\_\_\_ feet.  
Well yielded \_\_\_\_\_ GPM with a drawdown of \_\_\_\_\_ feet after \_\_\_\_\_ hours of pumping

**Meter Installation**  
Meter Manufacturer: \_\_\_\_\_ Meter Serial Number: \_\_\_\_\_  
Meter Model Number/Name: \_\_\_\_\_ Type of Meter: \_\_\_\_\_  
Totalizer Register Unit and Multiplier Factor (AF x .001, gal x 1000, etc): \_\_\_\_\_  
Installation Date: \_\_\_\_\_ Meter installed by: \_\_\_\_\_  
Is This Meter (check one):  New  Repaired  Replacement

**Important:** By submitting the above information you are certifying that this meter was installed to manufacturer standards. For agricultural wells, a list of approved meters is on the MDEQ website.

I HEREBY CERTIFY that the above statements are true to the best of my knowledge.  
John W Thompson 0-679 \_\_\_\_\_  
Print Name of Pump Installer and License No. (if applicable) Date Signature of Pump Installer  
Form: OLWR-SWR-2A (4/13)

Cascilla M6

R16 Tallahatchie

RECEIVED  
01-16-2020  
BY OLWR

20" sandstone @ 76'

12 3/4" cas to 1238'  
cemented to surface

17 3/4" hole to 1260

8" lead Lap pipe f/ 1264' - 1179'

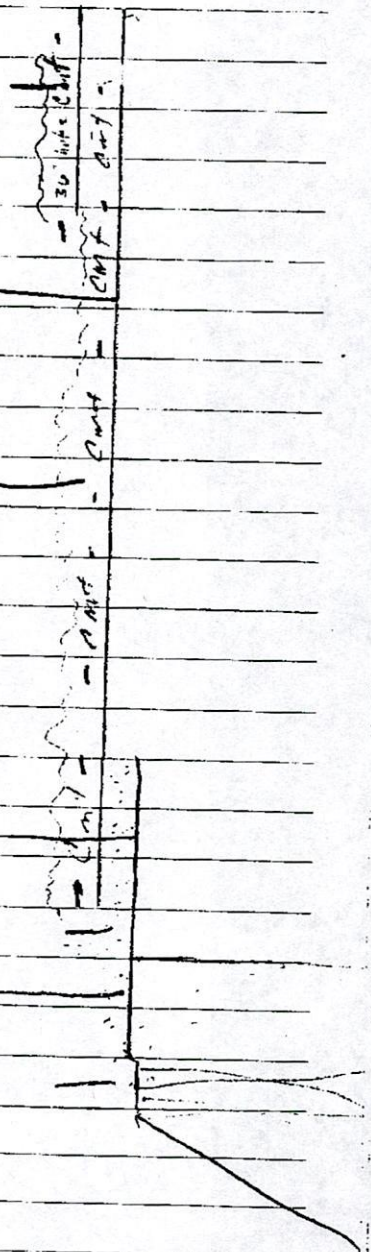
1 1/2" sand f/ 1312.65

6" x 8" .008 mesh pack f/ 1307' - 1264.64

4" string 2-BWV's f/ 1305' - 1312.65

Casing set 4-25-19

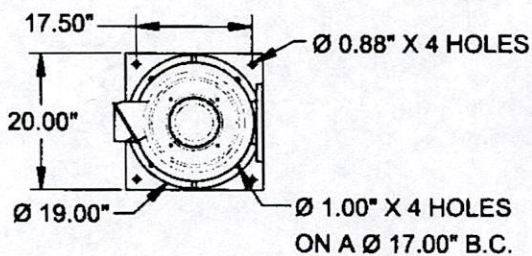
Screen set 5-8-19



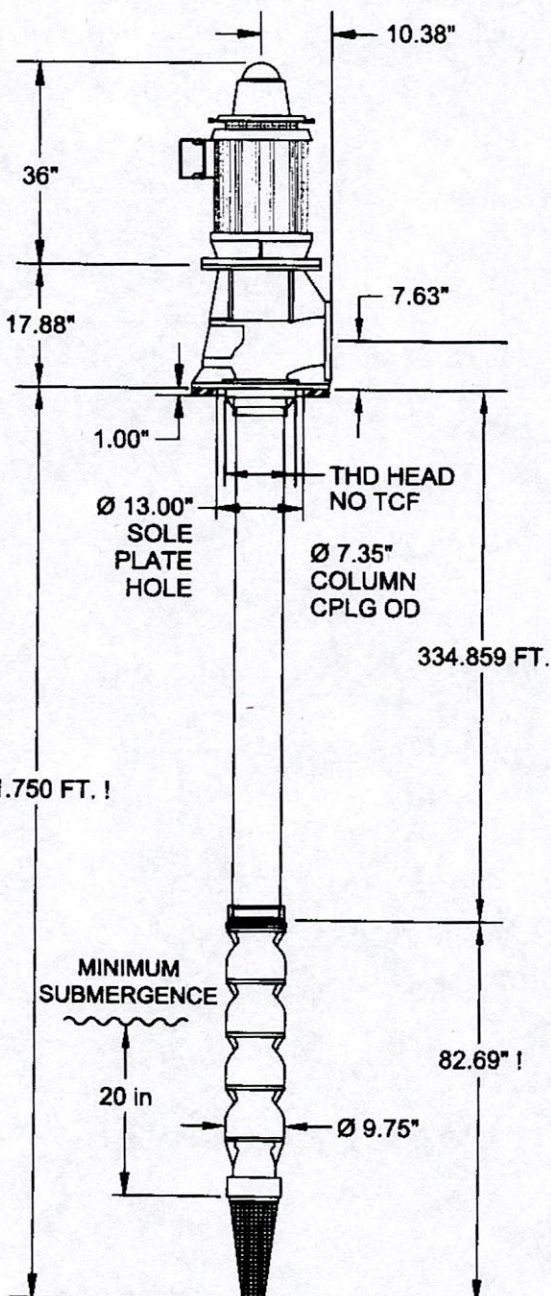
# VERTICAL TURBINE PUMP



RECEIVED  
01-16-2020  
BY OLWR



**MOTOR**  
 MFGR US HP 60 ENCLOSURE WP1 RPM 1800  
 TYPE VHS PHASE 3 HERTZ 60 VOLTS 230/460  
 S.F. 1.15 EFF. PRE BD 16.50 BX 1.25  
 KWY 0.25 CPLG NRR THRUST 5700 FRAME 364TP  
 MODEL NO. HO60P2BLG CD 31.1562



**DISCHARGE HEAD**  
 MODEL HH25 W/16.5" BD  
6" - ANSI CLASS 125-FF DISCHARGE FLANGE  
X PACKING BOX NO SPLIT PACKING GLAND  
N/A MECHANICAL SEAL N/A  
N/A TENSION ASSEMBLY YES SOLE PLATE

**COLUMN**  
6" X 0.280" WALL X THD N/A FLG'D  
 LINESHAFT X OPEN (N/A) ENCLOSED  
 SHAFT DIA 1.25" TPI 10 TPI TUBE DIA N/A

**BOWL**  
8 STAGE 10-L-30 BOWL ASSEMBLY  
300 US GPM FLOW 447 FT. HEAD  
 STRAINER X YES NO TYPE CONE

**MATERIALS**

BOWLS <u>316SS</u>	COLUMN <u>A53, GR B</u>
IMPELLERS <u>876 BZ (STD)</u>	COLUMN CPLG <u>DI</u>
BWL SFT <u>416 SS</u>	SHAFT TUBE <u>N/A</u>
COLLETS <u>316 SS</u>	BRG RET <u>316SS</u>
BOWL BRG <u>BOWL DWG</u>	LINE SFT BRGS <u>RUBBER</u>
BOLTING <u>SS</u>	LINE SHAFT <u>SS (416)</u>
TENSION BRG <u>N/A</u>	SHAFT SLEEVES <u>N/A</u>
MECH SEAL <u>N/A</u>	SHAFT CPLG <u>SS (304)</u>
SOLE PLATE <u>A-36</u>	PACKING <u>GRAPHITE</u>
BOWL WR <u>N/A</u>	STRAINER <u>304SS</u>
IMP WR <u>N/A</u>	HEAD <u>CI</u>
HEAD SHAFT <u>416 SS</u>	HEAD SHAFT CPG <u>SS (304)</u>
BOWL SURFACE FINISH <u>STD PAINT; OD</u>	
COLUMN SURFACE FINISH <u>NO COATING</u>	
HEAD SURFACE FINISH <u>STD PAINT; OD</u>	

**PROJECT NAME**  
Q-86865-Cascialla well pump

**WEIGHT & THRUST ESTIMATES**

BOWL <u>562 LBS</u>	COLUMN <u>6807 LBS</u>	HEAD <u>440 LBS</u>
SHAFT <u>1442 LBS</u>	TUBE <u>0 LBS</u>	DRIVER <u>700 LBS</u>
HYD THRUST <u>2157 LBS</u>	DRIVER MAX THRUST <u>5700 LBS</u>	

SPECIAL NOTE: DO NOT ASSEMBLE AS A SCVT PUMP

ALL DIMENSIONS IN INCHES UNLESS OTHERWISE SHOWN.  
 FOUR STAGE ASSEMBLY SHOWN.  
 NOT FOR CONSTRUCTION UNLESS CERTIFIED.

C-133434  
 BUILD - 1

1 OPTIONAL SUCTION PIPE LENGTH OF 20 FT. NOT INCLUDED IN TPL OR BOWL LENGTH DIMENSIONS

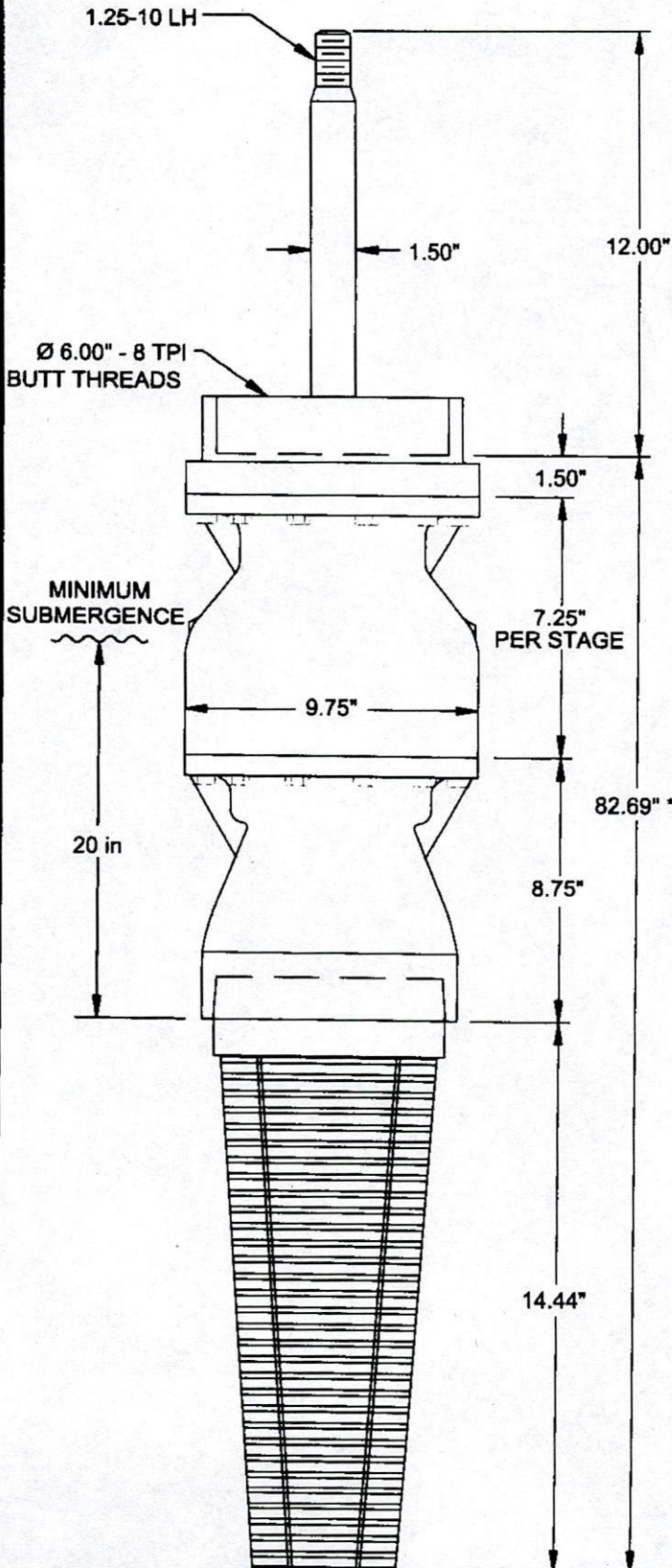
MFG. BY NATIONAL PUMP COMPANY

# VERTICAL TURBINE PUMP

R16 Tallahatchie



RECEIVED  
01-16-2020  
BY OLWR



8	STAGE	BOWL	10-L-30	BOWL ASSEMBLY
300 US GPM	FLOW	447 FT.	HEAD	
STRAINER	X YES	NO	TYPE	CONE

## MATERIALS

BOWL	316SS
IMPELLER	876 BZ (STD); STATIC BAL.
COLUMN ADAPTER	DUCTILE IRON
SUCTION BELL/CASE	CAST IRON
BOWL SHAFT	416 SS
COLLETS	SS (316)
SUCTION BEARING	C89835 (STD BZ)
INTERMEDIATE BEARING	C89835 (STD BZ STEP)
TOP BEARING	C89835 (STD BZ STEP)
BOLTING	SS
STRAINER	304SS
BOWL O-RING	NONE
WEAR RING (B)	N/A
WEAR RING (I)	N/A
BOWL ID SURFACE FINISH	VITREOUS ENAMEL
BOWL OD SURFACE FINISH	STD PAINT - OD

\* NOTE: OPTIONAL SUCTION PIPE LENGTH NOT INCLUDED IN TPL OR BOWL LENGTH DIMENSIONS

PROJECT NAME:  
Q-86865-Casciella well pump

FURNISHED BY:

BOWL WEIGHT: 562 LBS  
DRAWING NOT TO SCALE.  
ALL DIMENSIONS IN INCHES.  
SINGLE STAGE ASSEMBLY SHOWN.  
NOT FOR CONSTRUCTION UNLESS CERTIFIED.

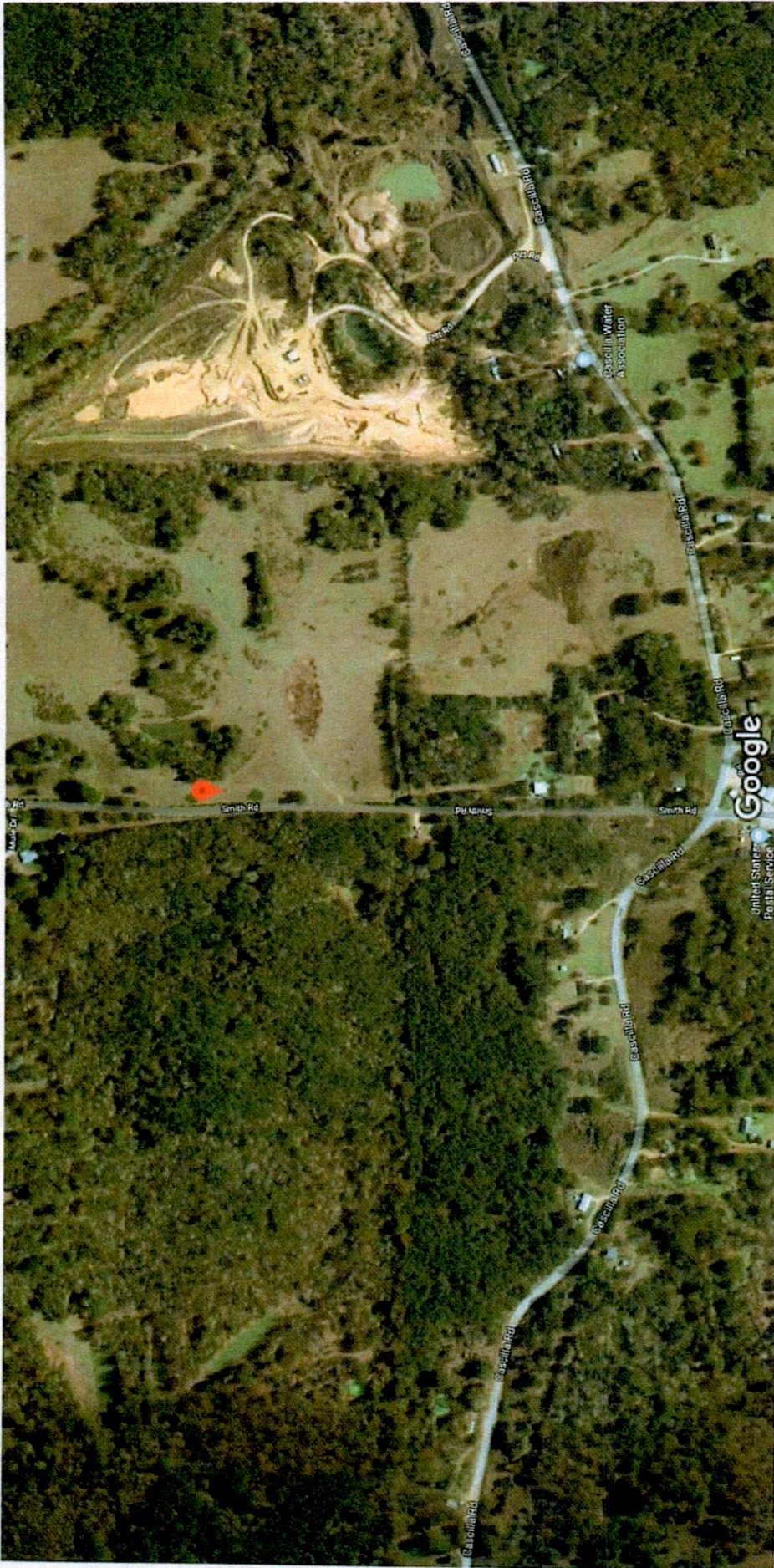
C-133434  
BUILD - 1

MFG. BY NATIONAL PUMP COMPANY

R16 Tallahatchie

00 01 02 03 04 05 06 07 08 09 10 11 12 13 14 15 16 17 18 19 20 21 22 23 24 25 26 27 28 29 30 31 32 33 34 35 36 37 38 39 40 41 42 43 44 45 46 47 48 49 50 51 52 53 54 55 56 57 58 59 60 61 62 63 64 65 66 67 68 69 70 71 72 73 74 75 76 77 78 79 80 81 82 83 84 85 86 87 88 89 90 91 92 93 94 95 96 97 98 99 100

Google Maps 33°51'45.0"N 90°00'14.0"W



Imagery ©2019 Maxar Technologies, State of Arkansas, USDA Farm Service Agency, Map data ©2019 200 ft

RECEIVED  
 01-16-2020  
 BY OLWR

RECEIVED  
01-16-2020  
BY OLWR

Map data ©2019 200 ft

© 2019 Google

Google Maps 33°51'45.0"N 90°00'14.0"W



Google





# Thompson Brothers Drilling

"Our Most Important Asset Wears a Hardhat"

538 Moselle Seminary Road • Moselle, MS 39459 • (601) 425-0970

**RECEIVED**

**01-16-2020**

**BY OLWR**

## PUMPING TEST

Date 6/5/2019 Formation Upper to Middle Wilcox County Tallahatchie  
 Well Observed New Owner Cascilla Water Association  
 Well Pumped New Average Discharge 302' By 6" x 4"  
 Static Water Level 237 Pump On 8 a.m. 6/5/19 Pump Off 8 a.m. 6/6/19

Time	T (Mins.)	T (Mins.)	Tape Held	Wetted	Water Level		P.S.I.	IN	GPM	
	1		281	+5	381.5			21.5	302	
	2		286	+8	286.8			21.5	302	
	3		288	+7	288.7			21.5	302	
	4		289	+3	289.3			21.5	302	
	5		290	+0	290.0			21.5	302	
	6		290	+3	290.3			21.5	302	
	7		290	+9	290.9			21.5	302	
	8		291	+0	291.0			21.5	302	
	9		291	+15	291.15			21.5	302	
	10		291	+2	291.2			21.5	302	
	11		291	+5	291.5			21.5	302	
	12		291	+6	291.6			21.5	302	
	13		291	+5	291.5			21.5	302	
	14		291	+6	291.6			21.5	302	
	15		291	+6	291.6			21.5	302	
	20		291	+8	291.8			21.5	302	
	25		291	+8	291.8			21.5	302	
	30		292	+0	292.0			21.5	302	
	35		291	+9	291.9			21.5	302	

Observer Anthony Simpson, Brandon Clark, Jesse Tims

Page 1 of 3



# Thompson Brothers Drilling

"Our Most Important Asset Wears a Hardhat"

538 Moselle Seminary Road • Moselle, MS 39459 • (601) 425-0970

**RECEIVED**  
**01-16-2020**  
**BY OLWR**

## PUMPING TEST

Date 6/5/2019 Formation Upper to Middle Wilcox County Tallahatchie  
 Well Observed New Owner Cascilla Water Association  
 Well Pumped New Average Discharge 302' By 6" x 4"  
 Static Water Level 237 Pump On 8 a.m. 6/5/19 Pump Off 8 a.m. 6/6/19

Time	T (Mins.)	T (Mins.)	Tape Held	Wetted	Water Level		P.S.I.	IN	GPM
	40		292	+0	292.0			21.5	302
	45		292	+1	292.1			21.5	302
	50		292	+1	292.1			21.5	302
	55		292	+0.05	292.05			21.5	302
	60		292	+4	292.4			21.5	302
	70		293	+2	293.2			21.5	302
	80		293	+4	293.4			21.5	302
	90		293	+3	293.3			21.5	302
	100		293	+2	293.2			21.5	302
	110		293	+1	293.1			21.5	302
	120		293	+0	293.0			21.5	302
	140		293	+3	293.3			21.5	302
	160		294	+7	294.7			21.5	302
	180		294	+8	294.8			21.5	302
	210		293	+6	293.6			21.5	302
	4 hr		295	+9	295.9			21.5	302
	5hr		296	+3	296.3			21.5	302
	6hr		297	+3	297.3			21.5	302
	7hr		298	+0	298.0			21.5	302



# Thompson Brothers Drilling

*"Our Most Important Asset Wears a Hardhat"*

538 Moselle Seminary Road • Moselle, MS 39459 • (601) 425-0970

**RECEIVED**  
**01-16-2020**  
**BY OLWR**

## PUMPING TEST

Date 6/5/2019 Formation Upper to Middle Wilcox County Tallahatchie  
 Well Observed New Owner Cascilla Water Association  
 Well Pumped New Average Discharge 302' By 6" x 4"  
 Static Water Level 237 Pump On 8 a.m. 6/5/19 Pump Off 8 a.m. 6/6/19

Time	T (Mins.)	T (Mins.)	Tape Held	Wetted	Water Level		P.S.I.	IN	GPM	
	8 hr		298	+4	298.4			21.5	302	
	9 hr		299	+4	299.4			21.5	302	
	10 hr		300	+6	300.6			21.5	302	
	11 hr		299	+0	299.0			21.5	302	
	12 hr		301	+0	301.0			21.5	302	
	13 hr		301	+4	301.4			21.5	302	
	14 hr		300	+3	300.3			21.5	302	
	15 hr		302	+0	302.0			21.5	302	
	16 hr		303	+0	303.0			21.5	302	
	17 hr		305	+6	305.6			21.5	302	
	18 hr		305	+5	305.5			21.5	302	
	19 hr		305	+8	305.8			21.5	302	
	20 hr		306	+3	306.3			21.5	302	
	21 hr		306	+9	306.9			21.5	302	
	22 hr		306	+4	306.4			21.5	302	
	23 hr		305	+0	305.0			21.5	302	
	24 hr		304	+7	304.7			21.5	302	

Observer Anthony Simpson, Brandon Clark, Jesse Tims



# Thompson Brothers Drilling

*"Our Most Important Asset Wears a Hardhat"*

538 Moselle Seminary Road • Moselle, MS 39459 • (601) 425-0970

**RECEIVED**  
**01-16-2020**  
**BY OLWR**

## RECOVERY

Date 6/6/2019 Formation Upper to Middle Wilcox County Tallahatchie  
 Well Observed New Owner Cascilla Water Association  
 Well Pumped New Average Discharge 302' By 6" x 4"  
 Static Water Level 237 Pump On 8 a.m. 6/5/19 Pump Off 8 a.m. 6/6/19

Time	T (Mins.)	T (Mins.)	Tape Held	Wetted	Water Level	P.S.I.	IN	GPM
	1		272	+0	272.0			
	2		258	+0	258.0			
	3		255	+0	255.0			
	4		253	+3	253.3			
	5		252	+5	252.5			
	6		252	+0	252.0			
	7		251	+8	251.8			
	8		251	+7	251.7			
	9		251	+5	251.5			
	10		251	+3	251.3			
	12		251	+0	251.0			
	14		250	+8	250.8			
	16		250	+6	250.6			
	18		250	+4	250.4			
	20		250	+0	250.0			
	25		250	+2	250.2			
	30		250	+2	250.2			
	40		249	+8	249.8			
	50		249	+4	249.4			

Observer Anthony Simpson, Brandon Clark, Jesse Tims

Page 1 of 2



# Thompson Brothers Drilling

*"Our Most Important Asset Wears a Hardhat"*

538 Moselle Seminary Road • Moselle, MS 39459 • (601) 425-0970

**RECEIVED**  
**01-16-2020**  
**By OLWR**

## RECOVERY

Date 6/6/2019 Formation Upper to Middle Wilcox County Tallahatchie  
 Well Observed New Owner Cascilla Water Association  
 Well Pumped New Average Discharge 302' By 6" x 4"  
 Static Water Level 237 Pump On 8 a.m. 6/5/19 Pump Off 8 a.m. 6/6/19

Time	T (Mins.)	T (Mins.)	Tape Held	Wetted	Water Level	P.S.I.	IN	GPM
	60		249	+1	249.1			
	90		248	+6	248.6			
	120		248	+5	248.5			
	150		247	+7	247.7			
	3 hr		246	+7	246.7			
	4 hr		246	+0	246.0			
	5 hr		245	+7	245.7			
	6 hr		245	+1	245.1			