

Tallahatchie  
 R 11  
 1-67

MISSISSIPPI  
 BOARD OF WATER COMMISSIONERS  
 416 North State Street  
 Jackson, Mississippi 39201

WATER WELL DRILLERS LOG

January 6, 1967 19 Robert E. Kately Tallahatchie  
 date well completed firm name county well located

LANDOWNER: Essie C. Bent  
 Cascilla, Miss.  
 (mailing address)

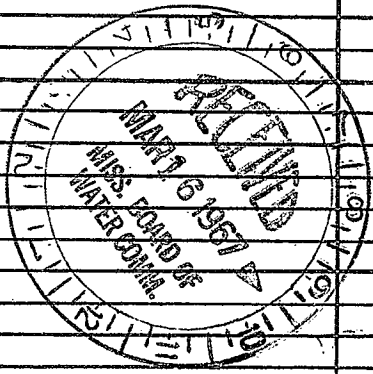
| description of formations encountered | from | to  |
|---------------------------------------|------|-----|
| Red Clay                              | 0    | 5   |
| Gravel                                | 5    | 35  |
| Gravel + Sand                         | 35   | 106 |
| Sand                                  | 106  | 112 |

WELL LOCATION:  
 sec. 6 T. 23 N. R. 3 E.  
 1 3/4 miles N of Cascilla  
 (distance) (direction) (nearest town)

WELL PURPOSE: Home  
 (home, irrigation, municipal, industrial)

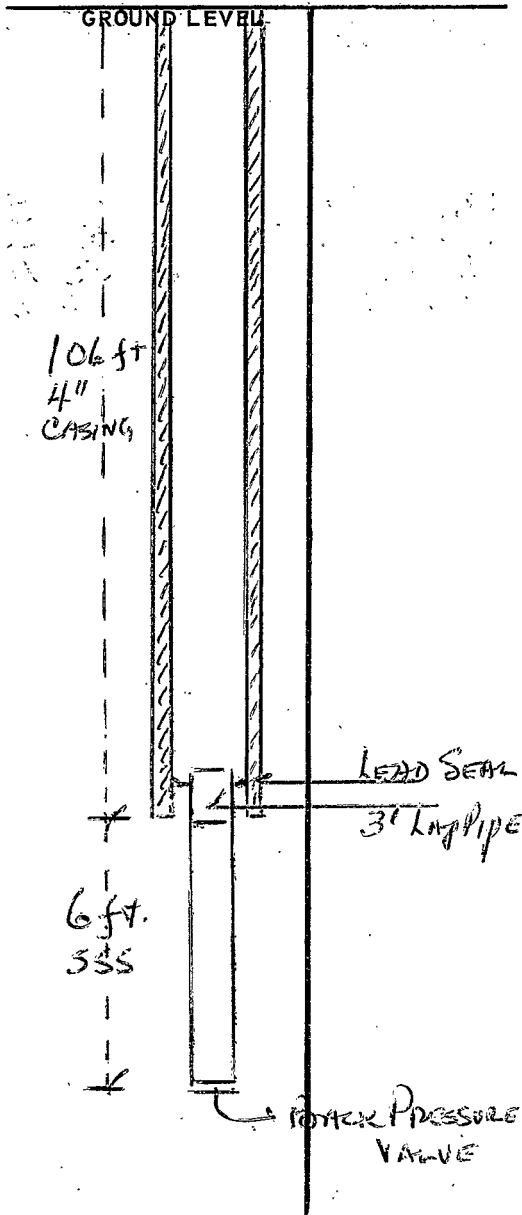
- WELL COMPLETION DATA:
- (1) diameter (inches) 4 x 2
  - (2) total depth (feet) 112
  - (3) static water level (feet) 80 below top of ground.
  - (4) casing St. 106, (material), (depth)  
 4 x 2 (size) if telescope see back.
  - (5) screen 6, 106 (length), (depth to top)  
 1006, 5.3 (size), (material)
  - (6) pump 1/2, 10 (HP), (yield gpm)  
 sub. (type power)
  - (7) electric log no. (yes or no)
  - (organization running log)
  - (8) how well bottom plugged BPU

CODED



DRILLERS REMARKS: Pump set 95 feet

If well telescopes please sketch and show depths.



|  |  |  |   |
|--|--|--|---|
|  |  |  |   |
|  |  |  | X |
|  |  |  |   |
|  |  |  |   |

SECTION 8

Please indicate well location X.

ADDITIONAL INFORMATION

If more than one screen, show locations of each on sketch.