

37

STATE WELL REPORT

510

County: Newton
 Permit #: MS-GW-17498
 Driller: John W Thompson
 Date drilling completed: 12-3-19

**Part 1
 Driller's Log**
 Mississippi Department of Environmental Quality
 Office of Land and Water Resources
 P.O. Box 2309
 Jackson, MS 39225-2309
 (601)961-5555
 (601)961-5228 (fax)

For Office Use Only:
 Well #: E53
 Aquifer: _____
 E-Log #: _____

RECEIVED
01-16-2020
BY OLWR

State Law requires that this report be prepared by the license holder responsible for the work and filed with the Department at the above address within 30 days of completion of drilling of the well or borehole.

Well Owner Information (Landowner if borehole is not for a water well)	Well or Borehole Location
Owner Name: <u>Mississippi band of Choctaw Indians</u>	Latitude: <u>N32° 27' 18.7"</u> Longitude: <u>W89° 16' 14"</u>
Mailing Address: <u>Conehatta Community</u> <u>100 Utility Circle</u> <u>Choctaw MS 39350</u>	Method of Lat/Long (check one): Conventional Survey _____ USGS quad _____, Hand-held GPS _____, Survey-grade GPS _____
City _____ State _____ Zip Code _____	<u>NW</u> ¼ <u>NW</u> ¼, Sec <u>15</u> T <u>7N</u> R <u>10E</u>
Telephone No. (____) _____	<u>0</u> Miles _____ of <u>Conehatta</u> (Distance) (Direction) (Nearest Town)

Well / Borehole Data

Date drilling started: 3-14-19 Date drilling completed: _____ Hole depth: 660 Hole diameter: 17 3/4

Location of the source of any surface water used for drilling: Old well

Method of dosing and volume of Chlorine used in drilling and development: added 1 pound of chlorine per 1000 gallons water

Logs run (check all applicable): log run Electric Gamma Ray Density Sonic Neutron Other: _____

Name of organization running log(s): Teaco

Purpose of borehole (check one): Water Well Geotechnical/Geological Investigation Ground Source Heat Pump
 Seismic Survey Other (describe) _____

If drilling is not related to water well construction, skip the remainder of this block

Purpose of Well (check all applicable): Home Industrial Public Supply Irrigation Fish Culture
Other (describe): _____

If a flowing well, method of flow regulation: Valve _____ Other (describe) _____

Static Water Level: 275 feet above or below land surface Date measured: 5-30-19
(check one)

Method of measurement (check one) Steel tape Electric tape Air line Other (describe): _____

Well depth: 623 Well grouted to a depth of: 580 feet Type of grout (check one) Neat Cement Bentonite Mix

Casing length: 580 feet Casing diameter: 12 3/4 inches Type of casing: Steel

Screen length: 33 feet Screen diameter: 8 inches Type of screen: 6x8 municipal

Screen slot size: .020 inches Setting depth: From 590 feet to 623 feet

Type of completion (check all applicable) gravel packed Underreamed Open hole Natural Development
Other (describe): _____

Top of lap pipe or reduction in casing: 547 feet

If telescoped or more than one screen, describe on next page

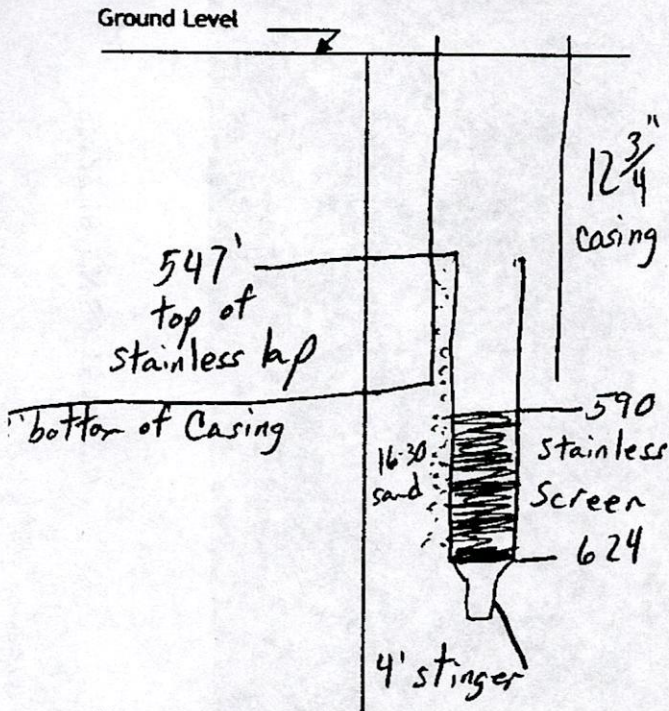
County: Newton
 Permit #: MS-GW-17498

RECEIVED
01-16-2020
BY OLWR

For Office Use Only:
 Well #: E53

The sketch below only required for water wells
If well telescopes, show depths on sketch.

Description of formations encountered must be provided for all wells
and boreholes, unless specifically exempted by regulations



Description of Formations Encountered	From (depth)	To (depth)
clay	Ground level	140
fine sand	140	160
Clay	160	220
sandy clay	220	270
Sand	270	310
Clay	310	400
sand & clay	400	450
Clay	450	590
sand	590	640
clay	640	660

If more than one screen, show location of each on sketch

Sketch the property layout and include the following:

- 1) the well location
- 2) any permanent structures on the property that may aid in locating the well
- 3) any roads, power lines, or other items that may aid in locating the property and the well
- 4) north arrow

Landowner Name: MBCI

I HEREBY CERTIFY that the well/borehole was drilled, constructed, and completed in accordance with all applicable requirements of the Mississippi Department of Environmental Quality and the Mississippi Department of Health regulations, if applicable, and state laws.

John W Thompson 0-679
 Print Name of Responsible Licensee and License No.

Date

John W Thompson
 Signature of Licensee

STATE WELL REPORT

Part 2

Pump Installer's Completion Report
Mississippi Department of Environmental Quality
Office of Land and Water Resources
P.O. Box 2309
Jackson, MS 39225-2309
(601)961-5210
(601) 360-0535 (fax)

For Office Use Only:

Well #: E 53

Aquifer: _____

County: Newton
Permit #: MS-GW-17498
Driller: John W Thompson
Date completed: _____
Copy information from block on Part 1

This part of the report must be completed by a licensed water well contractor or a licensed pump installer. A copy of Part 1 of the report must be attached and both parts filed with the Department at the above address within 30 days of well completion.

Well Owner Information			Well Location	
Owner Name:	<u>MBCI Choctaw Community</u>		Latitude:	<u>N32° 27' 18.7"</u> Longitude: <u>W89° 16' 14"</u>
Mailing Address:	<u>100 Utility Circle Choctaw, MS 39350</u>		Method of Lat/Long (check one):	Conventional Survey _____ USGS quad _____, Hand-held GPS _____, Survey-grade GPS _____
City	State	Zip Code	<u>NW</u> ¼ <u>NW</u> ¼, Sec <u>15</u> T <u>7N</u> R <u>10E</u>	
Telephone No. (____)	_____		_____ Miles _____ of <u>Choctaw</u>	(Distance) (Direction) (Nearest Town)

Pump Type (check one)

Submersible Turbine Air Lift Centrifugal Flowing Well Jet Piston Rotary Other (describe): _____

Date Pump Installed: 12-3-19 Rated Pump Capacity: 300 Gallons Per Minute

Is This Pump (check one): New Repaired Replacement

Power Type (check one)

Electric Diesel Gasoline Natural Gas Tractor PTO Windmill Other (describe): _____

Horse Power Rating of Motor: 60 Setting Depth: 434 feet Number of Stages: 8

Pump Test Data for Non Flowing Well

Date Well Tested: 5-30-19 Duration of Pump Test (minimum 4 hours): 22 hours

Static Water Level (A): 275 Feet Below Land Surface Pumping Water Level (B): 306 Feet Below Land Surface

Drawdown [(B) - (A)]: 100 Feet Below Land Surface Test Pumping Rate: 302 Gallons Per Minute

Method of measurement (check one): Steel tape Electric tape Air line Other (describe): _____

Pump Test Data for Flowing Well

Measured shut in head: _____ feet.

Well yielded _____ GPM with a drawdown of _____ feet after _____ hours of pumping

Meter Installation

Meter Manufacturer: _____ Meter Serial Number: _____

Meter Model Number/Name: _____ Type of Meter: _____

Totalizer Register Unit and Multiplier Factor (AF x .001, gal x 1000, etc): _____

Installation Date: _____ Meter installed by: _____

Is This Meter (check one): New Repaired Replacement

Important: By submitting the above information you are certifying that this meter was installed to manufacturer standards. For agricultural wells, a list of approved meters is on the MDEQ website.

I HEREBY CERTIFY that the above statements are true to the best of my knowledge.

John W Thompson 0-679 Date John W Thompson Signature of Pump Installer

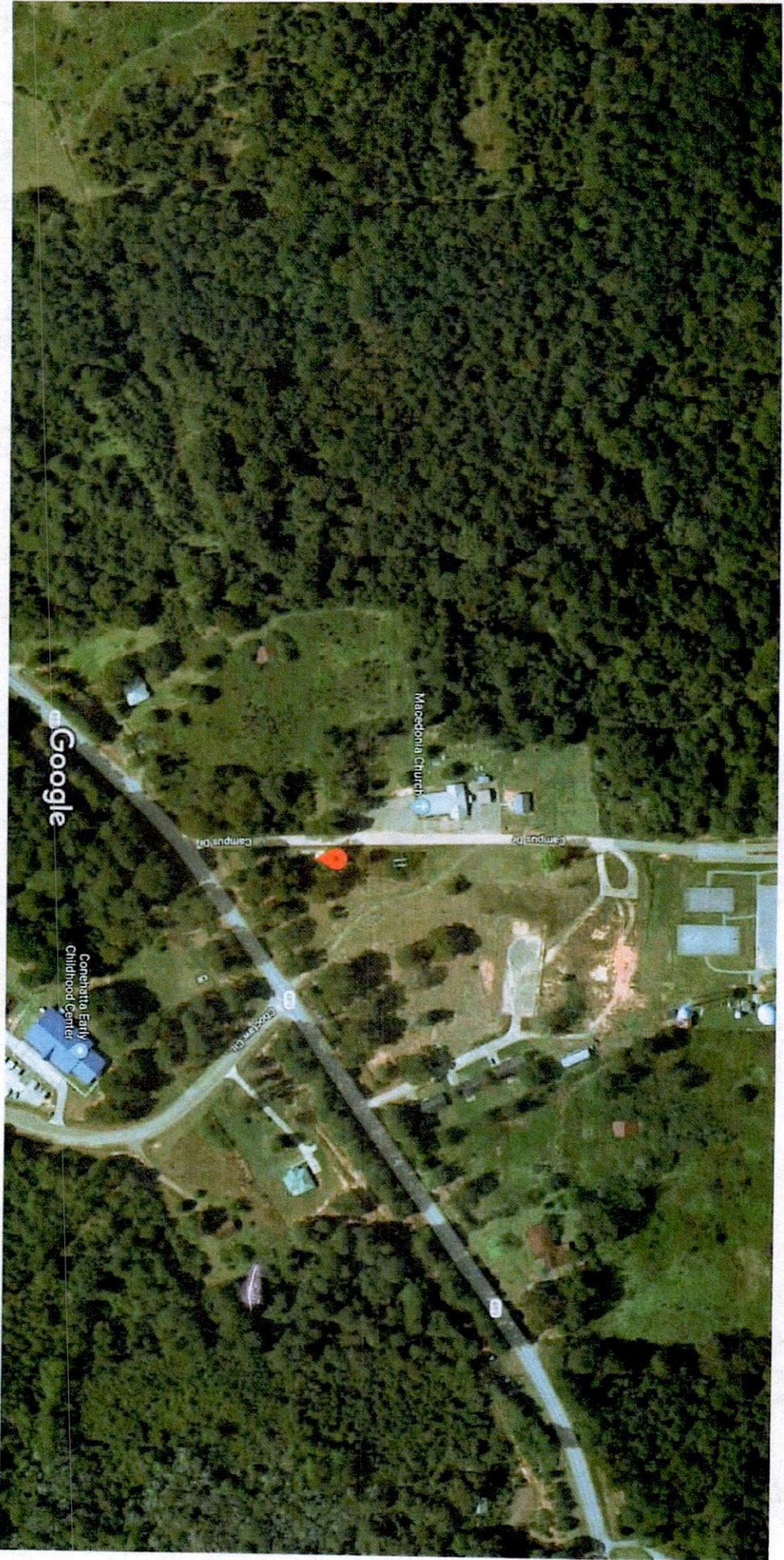
Print Name of Pump Installer and License No. (if applicable) _____ Signature of Pump Installer _____

9/4/2019

32°27'18.7"N 89°16'14.0"W - Google Maps



32°27'18.7"N 89°16'14.0"W
CONEHATTA



Imagery ©2019 Google, Imagery ©2019 Maxar Technologies, USDA Farm Service Agency, Map data ©2019 100 ft

E53 Newton

RECEIVED
01-16-2020
BY OLWR

Library/Information Systems - Newton, MA - 02459 - 01-16-2020

E53 Newton

RECEIVED
01-16-2020
BY OLWR

Google

Map data ©2019

100 ft

Vertical text on the left edge of the page, likely a scanning artifact or document ID.

start 3-14

RECEIVED
01-16-2020
BY OLWR

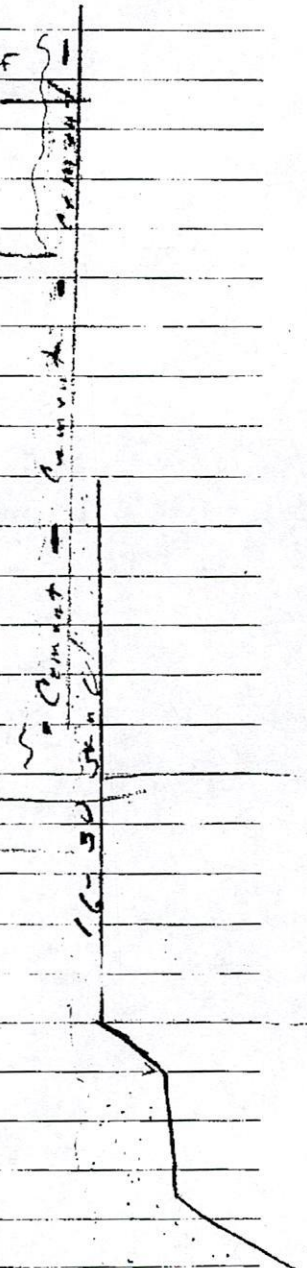
Conductivity 100 12" casing 49.61 PPF

1-	39.75		
2-	41.13	51.25	
3-	42.07	123.54	
4-	42.06	169.51	12" 40" 49.61 PPF casing @ 580'
5-	42.07	209.15	
6-	42.06	255.11	
7-	42.06	291.57	
8-	42.06	333.63	12" hole to 545'
9-	42.07	375.70	
10-	42.07	417.77	
11-	42.06	459.87	
12-	42.06	501.92	
13-	42.06	543.99	Top of 6" 55 Lape - 546.80
	37.01	581.00	
Shoe	2.00	583.00	
Elvation		- 3.00	
		580	to top shoe

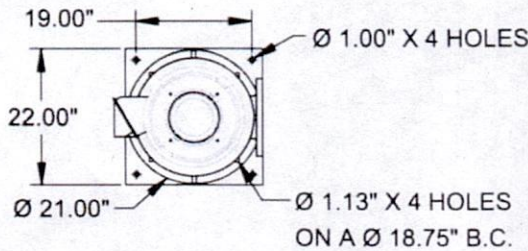
Top of Lx8.20 screen - 590
Btm of screen - 623.65

16-30 sand f/ 630.6 - 556'

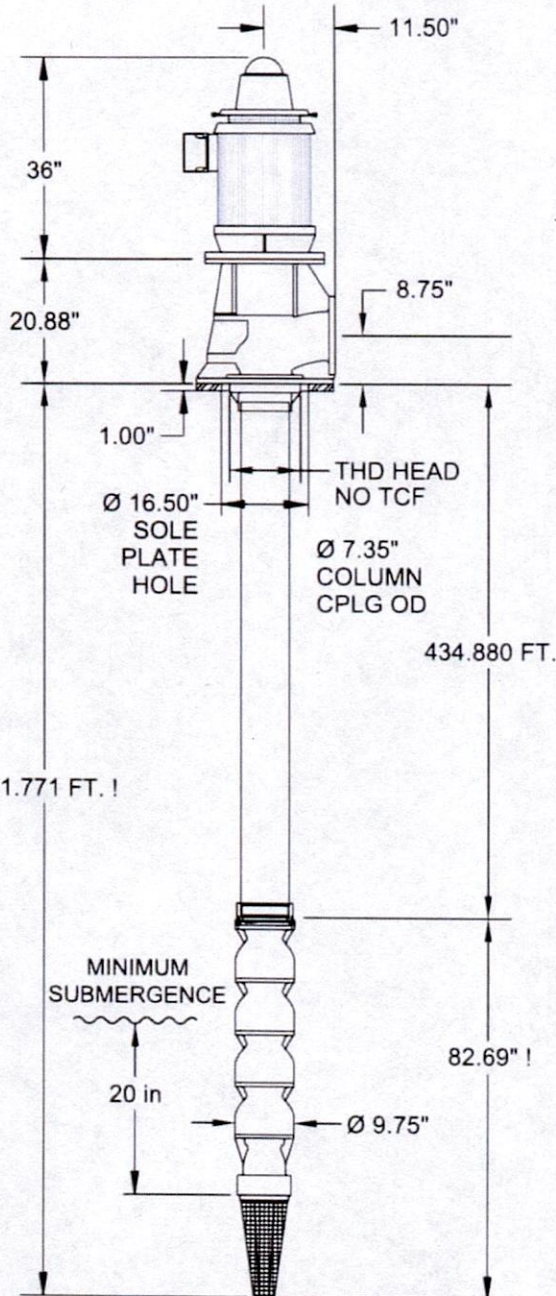
4" string w/ 2-4" BWHs
f/ 623.65 - 630.6'



VERTICAL TURBINE PUMP



MOTOR
 MFR US HP 60 ENCLOSURE WP1 RPM 1800
 TYPE VHS PHASE 3 HERTZ 60 VOLTS 230/460
 S.F. 1.15 EFF. PRE BD 16.50" BX 1.25"
 KWY 0.25" CPLG NRR THRUST 5700 FRAME 364TP
 MODEL NO. HO60P2BLG CD 31.1562"



DISCHARGE HEAD

MODEL HH30 W/16.5" BD
 8" - ANSI CLASS 125-FF DISCHARGE FLANGE
 X PACKING BOX NO SPLIT PACKING GLAND
 N/A MECHANICAL SEAL N/A
 N/A TENSION ASSEMBLY YES SOLE PLATE

COLUMN

6" X 0.280" WALL X THD N/A FLG'D
 LINESHAFT X OPEN (N/A) ENCLOSED
 SHAFT DIA 1.25" TPI 10 TPI TUBE DIA N/A

BOWL

8 STAGE 10-L-30 BOWL ASSEMBLY
 300 US GPM FLOW 450 FT. HEAD
 STRAINER X YES NO TYPE CONE

MATERIALS

BOWLS CI EN COLUMN A53, GR B
 IMPELLERS 876 BZ (STD) COLUMN CPLG DI
 BWL SFT 416 SS SHAFT TUBE N/A
 COLLETS 316 SS BRG RET BZ
 BOWL BRG BOWL DWG LINE SFT BRGS RUBBER
 BOLTING SS LINE SHAFT SS (416)
 TENSION BRG N/A SHAFT SLEEVES N/A
 MECH SEAL N/A SHAFT CPLG SS (304)
 SOLE PLATE A-36 PACKING GRAPHITE
 BOWL WR N/A STRAINER 304SS
 IMP WR N/A HEAD CI
 HEAD SHAFT 416 SS HEAD SHAFT CPG SS (304)
 BOWL SURFACE FINISH STD PAINT; OD
 COLUMN SURFACE FINISH NO COATING
 HEAD SURFACE FINISH STD PAINT; OD

PROJECT NAME		
CONEHATTA WELL PUMP P/L		
WEIGHT & THRUST ESTIMATES		
BOWL 562 LBS	COLUMN 8837 LBS	HEAD 490 LBS
SHAFT 1872 LBS	TUBE 0 LBS	DRIVER 700 LBS
HYD THRUST 2157 LBS	DRIVER MAX THRUST 5700 LBS	
SPECIAL NOTE: DO NOT ASSEMBLE AS A SCVT PUMP		
ALL DIMENSIONS IN INCHES UNLESS OTHERWISE SHOWN.		
FOUR STAGE ASSEMBLY SHOWN.		
NOT FOR CONSTRUCTION UNLESS CERTIFIED.		
		C-133170 BUILD - 2

1 OPTIONAL SUCTION PIPE LENGTH OF 20 FT. NOT INCLUDED IN TPL OR BOWL LENGTH DIMENSIONS

MFG. BY NATIONAL PUMP COMPANY