

MISSISSIPPI DEPARTMENT OF ENVIRONMENTAL QUALITY

Office of Land and Water Resources

COUNTY WELL LOCATED
Neshoba

WELL NUMBER **F 55** CODED

DATE WELL COMPLETED
June 1995

PERMIT NUMBER
DOES NOT APPLY

NAME OF DRILLING FIRM
Layne-Central,
A Division of Layne, Inc.



Box 10631
Jackson, MS 39289-0631

WATER WELL DRILLERS LOG

NAME & MAILING ADDRESS OF LANDOWNER
Choctaw Housing Authority

P.O. Box 6088

Philadelphia, MS 39350

WELL LOCATION: SEC **30** TOWNSHIP **11 N** RANGE **11 E**

DISTANCE **0.65** EAST of Tribal office
Miles of

OTHER LANDMARK
SE 1/4, NE 1/4, NW 1/4, N 1/2, Sec 30 T 11 N R 11 E

WELL PURPOSE: Home, Irrigation Municipal Industrial, Fish Pond, etc.

PUMP DATA

PUMP TYPE (Circle One):
Submersible, Turbine Jet Flowing Well,
Other (Describe) _____

POWER TYPE (Circle One):
 Electric Tractor Diesel Gasoline Butane,
Other (Describe) _____ H/P **60**

Pump Capacity (GPM) 597	No.-of Stages 7	Setting Depth 260' FT.
-----------------------------------	---------------------------	----------------------------------

PUMP TEST

Well yielded **584** GPM with
a drawdown of **20'** ft.
after **6** hours of pumping

WELL DATA

Well Depth 1120'	Casing Diameter (In.) 16"	Casing Length (Ft.) 1035'
Type of Casing Steel	Hole Depth 1120'	Depth to Static Water Level 173'

TYPE OF COMPLETION (Circle One or More):
 Gravel Packed, Underreamed, Telescoped,
 Natural Development, Open Hole, Other
(Describe) _____

WELL GROUTED TO A DEPTH OF **1035** FEET
Type Grout (circle one): Cement Bentonite, or Mix

SCREEN DATA

Diameter - Inches 10"	Length - Feet 80'	Slot Size - Inches .025
Screen Type Johnson stainless steel	Depth to Bottom - Feet 1120'	

LOG DATA

TYPE OF LOG RUN (Circle One):
Electric, Gamma Ray Density, Sonic, Neutron,
Other (Describe) _____

Name of Organization Running Log
Miss DEQ/Bureau of Geology

GEOLOGIC DATA (Office Use Only)

Surface Elev.	Geologic Unit	Unit Thickness	Depth to Top
Subs. SWL	Date	Analysis	Aquifer Test

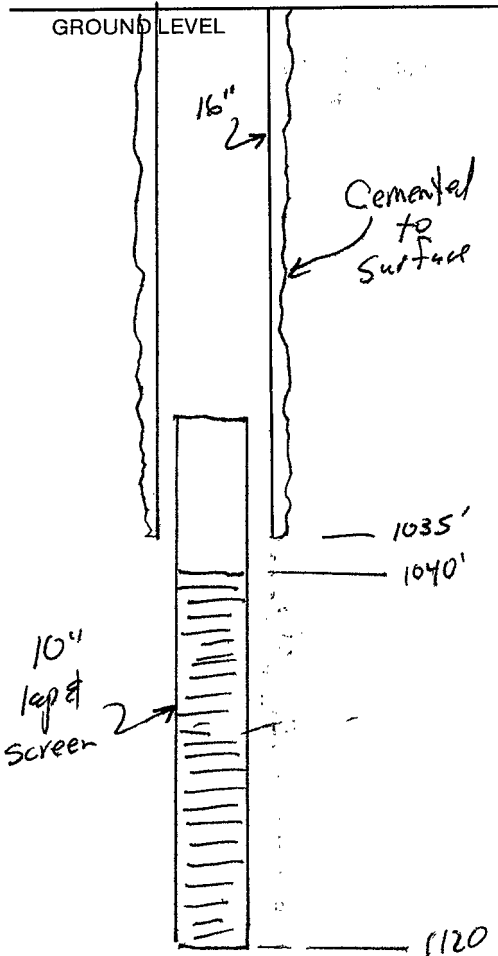
Driller's Remarks
EPOXY COATED CASING
\$ LAP

Top of Lap Pipe or Reduction in Casing
980' ± FEET IF TELESCOPED OR MORE THAN ONE SCREEN: USE BACK PAGE

DESCRIPTION OF FORMATIONS ENCOUNTERED	FROM		TO		FORMATIONS (Continued)		FROM	TO
Red Sand	0'	40'	Sand & shale streaks	900'	995'			
Hard shale	40'	96'	Clay	995'	1033'			
Sand	96'	143'	Sand	1033'	1175'			
Clay	143'	210'	Clay & Lignite	1175'	1197'			
sandy Clay + Lignite	210'	350'						
shale	350'	450'						
Sandy shale	450'	510'						
Rock	510'	511'						
Sandy Clay + Lignite	511'	749'						
Sand	749'	810'						
Sandy Clay	810'	900'						

IF MORE SPACE IS NEEDED, USE BACK

If well telescopes please sketch and show depths.



*			

SECTION 30

Please indicate well location X.

ADDITIONAL INFORMATION

Bottom Casing 1035'

TOP SCREEN 1040

Bottom Screen 1120

If more than one screen,
show location of each on sketch.