

**MISSISSIPPI  
BOARD OF WATER COMMISSIONERS  
416 North State Street  
Jackson, Mississippi 39201**

**WATER WELL DRILLERS LOG CODED**

<b>LOWNDES</b>
<b>G182</b>
<b>8/77</b>
<b>Log #71</b>

August 1977 Herndon Well & Supply, Inc Lowndes  
 date well completed firm name county well located

**LANDOWNER:** City of Columbus  
 Columbus, Mississippi  
 Well No. 1  
 (mailing address)

**WELL LOCATION:**  
 sec. 11 T. 18 N R. 18 E S W  
 Inside miles - of Columbus  
 (distance) (direction) (nearest town)

**WELL PURPOSE:** Municipal  
 (home, irrigation, municipal, industrial)

**WELL COMPLETION DATA:**

(1) diameter (inches) 18 x 12

(2) total depth (feet) 895 ft.

(3) static water level (feet) 18.10 below top of ground.

(4) casing Steel, 780' (material), (depth),  
 18" (size) if telescope see back.

(5) screen 100' (length), 795' (depth to top)  
 12" (size), Stainless Steel (material)

(6) pump 30 (HP), 1471 (yield gpm)  
 Electric (type power)

(7) electric log yes (yes or no)  
 USGS (organization running log)

(8) how well bottom plugged 12" BWV

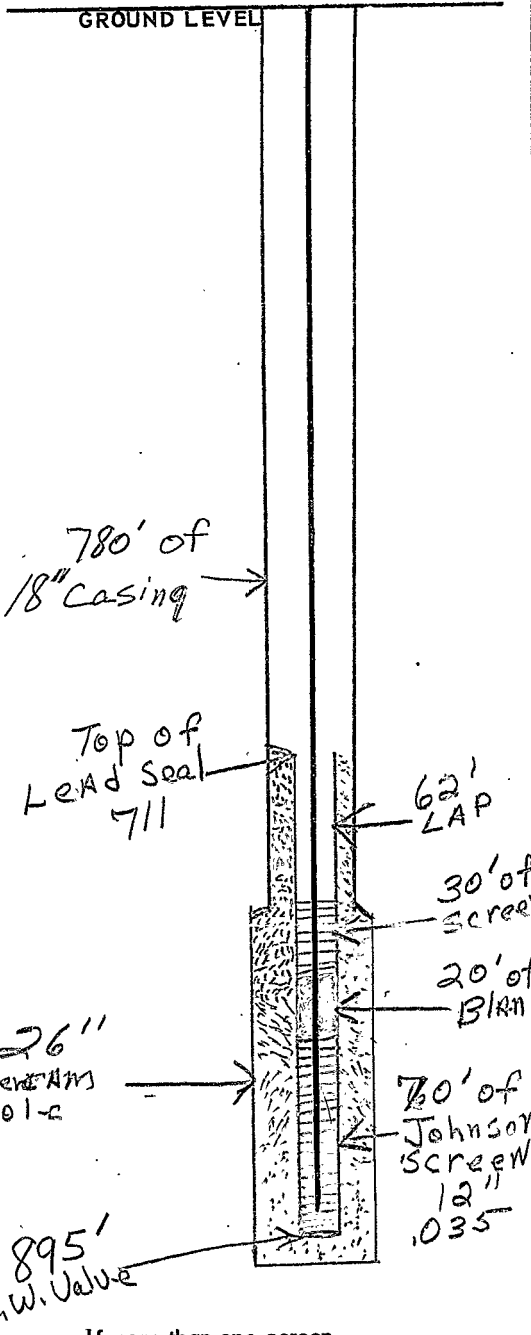
description of formations encountered	from	to
Surface Soil	0	22
Streaked Sand and Gumbo	22	120
Gumbo, Shale	120	135
Rock	135	136
Gumbo, Streaked Shale	136	175
Rock	175	180
Streaked Sand and Gumbo	180	210
Gumbo	210	240
Streaked Sand and Gumbo	240	320
Pink Gumbo	320	330
Gumbo	330	390
Streaked Gumbo and Sand	390	420
Sand	420	480
Sand and Pea Gravel	480	505
Pink Gumbo	505	510
Gumbo	510	600
Sand	600	620
Gumbo	620	750
Streaked Sand and Gumbo	750	780
Sand and Chert	780	810
Chert	810	840
Sand	840	850
Gumbo	850	860
Sand	860	930

OCT 28 1977  
 MISS. Bd. OF WATER COMMISSIONERS

**DRILLERS REMARKS:**



If well telescopes please sketch and show depths.



+			

SECTION 11

Please indicate well location X.

ADDITIONAL INFORMATION

Blank horizontal lines for recording additional information.

If more than one screen, show locations of each on sketch.