

MISSISSIPPI DEPARTMENT OF ENVIRONMENTAL QUALITY

Office of Land and Water Resources

P. O. Box 10631
Jackson, MS 39289-0631
WATER WELL DRILLERS LOG

| | |
|--|-------|
| COUNTY WELL LOCATED <u>Lincoln</u> | |
| WELL NUMBER <u>2046</u> | CODED |
| DATE WELL COMPLETED <u>11-14-94</u> | |

| |
|---|
| PERMIT NUMBER |
| NAME OF DRILLING FIRM <u>Arenn Water Well & Supply</u> |

| | | | |
|--|-------------|------------------------------------|------------------------------------|
| NAME & MAILING ADDRESS OF LANDOWNER <u>Mrs. L.H. Lofton</u> | | | |
| <u>3959 Fair River Dr. N.E.</u> | | | |
| <u>Sontag MS 39665</u> | | | |
| WELL LOCATION | SEC | TOWNSHIP | RANGE |
| | <u>13</u> | <u>7</u> ^N _S | <u>9</u> ^E _W |
| DISTANCE | DIRECTION | NEAREST TOWN | |
| <u>10</u> Miles | <u>East</u> | of <u>Brookhaven</u> | |
| OTHER LANDMARK | | | |
| WELL PURPOSE (Circle one): <input checked="" type="radio"/> Home, Irrigation, Municipal, Industrial, Fish Pond, etc. | | | |

| | | |
|--|---------------------------|---------------------------------|
| PUMP DATA | | |
| PUMP TYPE (Circle One): <input checked="" type="radio"/> Submersible Turbine, Jet Flowing Well, Other (Describe) _____ | | |
| POWER TYPE (Circle One): <input checked="" type="radio"/> Electric Tractor, Diesel, Gasoline, <u>1</u> Butane, Other (Describe) _____ H/P <u>1/2</u> | | |
| Pump Capacity (GPM) <u>10</u> | No. of Stages <u>9</u> | Setting Depth <u>155</u> FT. |
| PUMP TEST | | |
| Well yielded <u>7</u> GPM with a drawdown of <u>70</u> ft. after <u>1</u> hours of pumping | | |

| | | |
|--|---------------------------------------|--|
| WELL DATA | | |
| Well Depth <u>159 ft.</u> | Casing Diameter (In.) <u>4 in.</u> | Casing Length (Ft.) <u>149 ft.</u> |
| Type of Casing <u>PVC</u> | Hole Depth <u>170 ft.</u> | Depth to Static Water Level <u>67 ft.</u> |
| TYPE OF COMPLETION: (Circle One or More): <input checked="" type="radio"/> Gravel Packed, Underreamed, Telescoped, Natural Development, Open Hole, Other (Describe) _____ | | |
| WELL GROUTED TO A DEPTH OF <u>10</u> FEET Type Grout (circle one): Cement, Bentonite, or <input checked="" type="radio"/> Mix | | |

| | |
|---|--|
| LOG DATA | |
| TYPE OF LOG RUN (Circle One): <input checked="" type="radio"/> No Log Run, Electric, Gamma Ray, Density, Sonic, Neutron, Other (Describe) _____ | |
| Name of Organization Running Log | |

| | | |
|-----------------------------------|--|-----------------------------------|
| SCREEN DATA | | |
| Diameter - Inches <u>4 in.</u> | Length - Feet <u>10 ft.</u> | Slot Size - Inches <u>.010</u> |
| Screen Type <u>PVC</u> | Depth to Bottom - Feet <u>139 ft.</u> | |

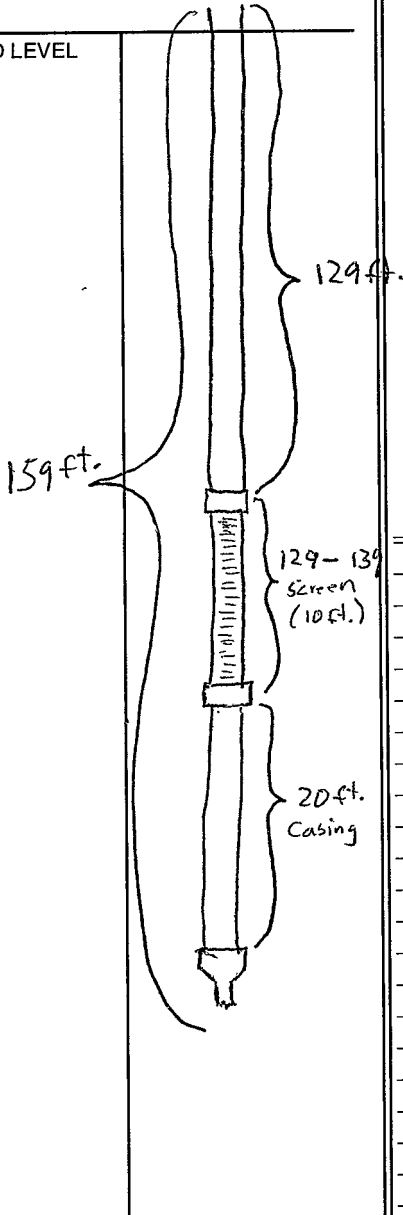
| | | | |
|--|---------------|--|--------------|
| GEOLOGIC DATA (Office Use Only) | | | |
| Surface Elev. | Geologic Unit | Unit Thickness | Depth to Top |
| Subs. SWL | Date | Analysis | Aquifer Test |
| Driller's Remarks | | | |
| Top of Lap Pipe or Reduction in Casing | | | |
| FEET | | IF TELESCOPED OR MORE THAN ONE SCREEN: USE BACK PAGE | |

| DESCRIPTION OF FORMATIONS ENCOUNTERED | FROM | TO |
|---------------------------------------|------------|------------|
| <u>Red Clay</u> | <u>0</u> | <u>74</u> |
| <u>Gravel</u> | <u>14</u> | <u>22</u> |
| <u>White Clay</u> | <u>23</u> | <u>33</u> |
| <u>Blue Clay</u> | <u>33</u> | <u>44</u> |
| <u>White Clay</u> | <u>44</u> | <u>60</u> |
| <u>Blue Clay</u> | <u>60</u> | <u>130</u> |
| <u>Sand</u> | <u>130</u> | <u>138</u> |
| <u>Clay</u> | <u>138</u> | <u>170</u> |

| FORMATIONS (Continued) | FROM | TO |
|--|------|----|
| RECEIVED | | |
| MAR 15 1995 | | |
| Dept. of Environmental Quality Office of Land & Water Resources | | |
| IF MORE SPACE IS NEEDED, USE BACK | | |

If well telescopes please sketch and show depths.

GROUND LEVEL



| | | | |
|---|--|--|--|
| | | | |
| | | | |
| | | | |
| X | | | |

SECTION 13

Please indicate well location X.

ADDITIONAL INFORMATION

If more than one screen,
show location of each on sketch.