

Leflore
K37
4-67

MISSISSIPPI
BOARD OF WATER COMMISSIONERS
416 North State Street
Jackson, Mississippi 39201
WATER WELL DRILLERS LOG

CODED

April 12 1967 Botawbe Co. of Leflore
date well completed firm name county well located
Greenwood

LANDOWNER:
Boyce Miller
Rt. 1 The Bowa Miss
(mailing address)

description of formations encountered from to

WELL LOCATION:
sec 36 T 19 N R 1 E
3 1/2 miles S 45 E of The Bowa
(distance) (direction) (nearest town)

CODED

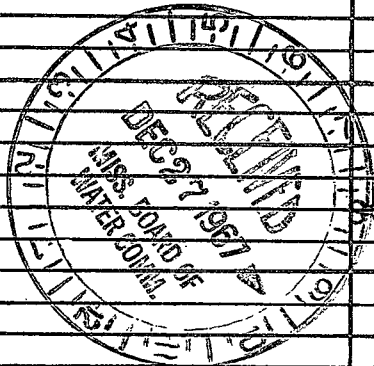
WELL PURPOSE: Home
(home, irrigation, municipal, industrial)

WELL COMPLETION DATA:
(1) diameter (inches) 4" x 2 1/2" x 2"
(2) total depth (feet) 1038'
(3) static water level (feet) 105' ^{below} above top of ground
(4) casing 2 1/2" - 903' (material) (depth)
4" x 2 1/2" (size) if telescope see back.
(5) screen 30' (length) 1008' (depth to top)
2" (size) STAINLESS STEEL (material)
(6) pump 1 1/2 (HP) 10 (yield gpm)
ELECTRIC (type power)
(7) electric log No (yes or no)
(organization running log)

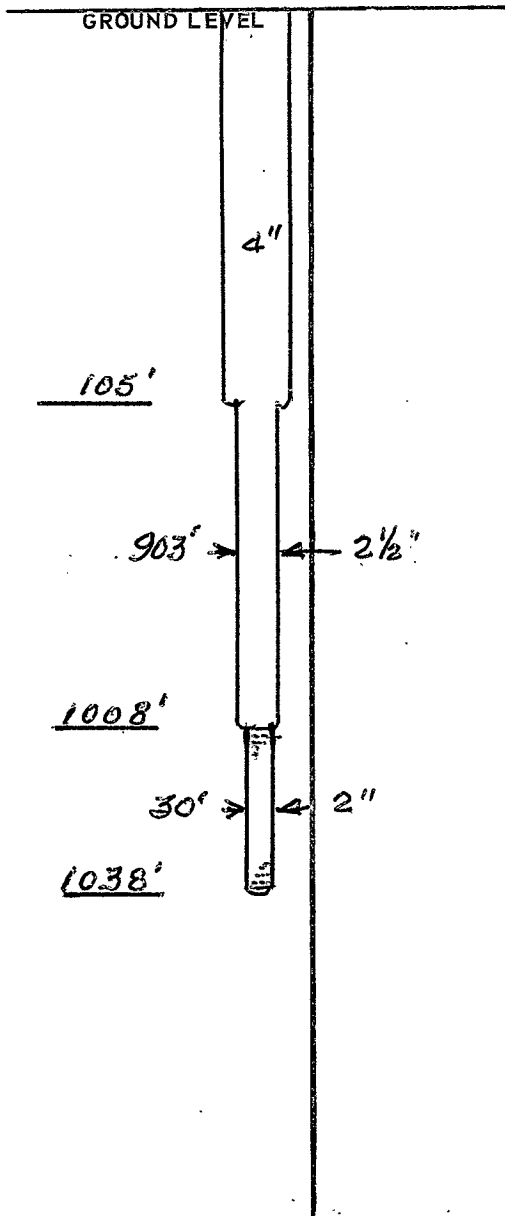
A. P. Sand 1012 1050

(8) how well bottom plugged
Back Pressure Valve

DRILLERS REMARKS:



If well telescopes please sketch and show depths.



			X

SECTION 36

Please indicate well location X.

ADDITIONAL INFORMATION

If more than one screen, show locations of each on sketch.