

State Well Report

Part 1 - Driller's Log

Mississippi Department of Environmental Quality
Office of Land and Water Resources
P.O. Box 2309
Jackson, MS 39225
(601)961-5210
(601)961-5228 (fax)

County: Clarke
Permit #: _____
Driller: McDonald & Hill, Inc.
Date drilling completed: 4.30.09

For Office Use Only:
Aquifer: _____
Well #: F-42
L. S. Elevation: _____
E-log #: _____

State Law requires that this report be prepared by the license holder responsible for the work and filed with the Department at the above address within 30 days of completion of drilling of the well or borehole.

Information on Well Owner (Landowner if borehole is not for a water well)	Well or Borehole Location
Owner Name: <u>Jerry Robinson</u>	Latitude: _____ Longitude: _____
Mailing Address: <u>P.O. Box 026</u>	Method of Lat/Long (circle one): Conventional Survey, USGS quad, Hand-held GPS, Survey-grade GPS
<u>Stonewall</u> MS <u>39363</u>	_____ 1/4 _____ 1/4 Sec <u>12</u> Twn <u>3N</u> Rng <u>14E</u>
City State Zip Code	Distance _____ Miles Direction <u>SW</u> of Nearest Town <u>Stonewall</u>
Telephone No. (____) _____	

Well / Borehole Data

Date drilling started: 4.27.09 Date drilling completed: 4.30.09 Hole depth: 500' Hole diameter: 7"

Location of the source of any surface water used for drilling: Community

Method of dosing and volume of Chlorine used in drilling and development: 1 lb per 1,000 gallons

Logs run (circle all applicable): No log run Electric Gamma Ray Density Sonic Neutron Other: _____

Name of organization running log(s): _____

Purpose of borehole (check one): Water Well Geotechnical/Geological Investigation _____ Ground Source Heat Pump _____

Seismic Survey _____ Other (describe) _____

If drilling is not related to water well construction, skip the remainder of this block

Purpose of Well (check one): Home Industrial _____ Public Supply _____ Irrigation _____ Fish Culture _____ Other: _____

If a flowing well, method of flow regulation: Valve _____ Other (describe) NONE

Static Water Level: Flow feet above or below (circle one) land surface Date measured: 4.30.09

Method of Measurement (circle one) steel tape electric tape air line other: _____

Well depth: 500 Well grouted to a depth of 10 feet Type of grout (circle one): Neat Cement Bentonite Mix

Casing length: 170 feet Casing diameter: 4 inches Type of casing: PVC

Screen length: 60 feet Screen diameter: 2 inches Type of screen: PVC

Screen slot size: #.006 inches Setting depth: From 440 feet to 500 feet

Type of completion (circle all applicable): Gravel packed Underreamed Telescoped Open hole Natural Development

Other (describe): _____

Top of lap pipe or reduction in casing: 110 feet. *If telescoped or more than one screen, describe on next page*

Form: OLWR-SWR-1A (04/08)

RECEIVED
MAY 21 2009
BY: OLWR

STATE WELL REPORT

Part 2

Pump Installer's Completion Report
 Mississippi Department of Environmental Quality
 Office of Land and Water Resources
 P.O. Box 2309
 Jackson, MS 39225
 (601)961-5210
 (601)961-5228 (fax)

County: Clarke
 Permit #: _____
 Driller: McDonald & Hill, Inc
 Date completed: 5-1-09
Copy information from block on Part 1

For Office Use Only:

Aquifer: _____
 Well #: F-42
 Elevation: _____

This part of the report must be completed by a licensed water well contractor or a licensed pump installer. A copy of Part 1 of the report must be attached and both parts filed with the Department at the above address within 30 days of well completion.

Well Owner Information	Well Location
Owner Name: <u>Jerry Robinson</u>	Latitude: _____ Longitude: _____
Mailing Address: <u>P.O. Box 626</u>	Method of Lat/Long (check one): Conventional Survey _____
<u>Stonewall</u> <u>MS</u> <u>39363</u>	USGS quad _____, Hand-held GPS _____, Survey-grade GPS _____
City State Zip Code	_____ 1/4 _____ 1/4 Sec <u>12</u> T <u>3N</u> R <u>4E</u>
Telephone No. (____) _____	Distance Direction Nearest Town
	<u>1</u> Miles <u>SW</u> of <u>Stonewall</u>

Pump Type Circle one	Power Type Circle one
Air Lift Jet <input type="radio"/> <u>Submersible</u>	Diesel Engine Gasoline Engine Natural Gas
Bucket Piston <input type="radio"/> <u>Turbine</u>	<u>Electric Motor</u> Hand Tractor PTO
Centrifugal Rotary <input type="radio"/> <u>Flowing Well</u>	Windmill Other (specify): _____
Other (specify): <u>overflow</u>	Horse Power Rating of Motor: <u>1/2 HP</u>
Date Pump Installed: <u>5-1-09</u>	Setting Depth: <u>20'</u> feet
Rated Pump Capacity: <u>7</u> Gallons Per Minute	Number of Stages: <u>10</u>

Pump Test Data	Method of Measuring Water Level Circle one
Date Well Tested: <u>5-1-09</u>	Air Line Electric Measuring Line Steel Tape
Static Water Level (A): <u>0</u> Feet Below Land Surface	Other (specify): <u>overflow</u>
Pumping Water Level (B): <u>0</u> Feet Below Land Surface	For flowing well, measured shut in head: _____ feet
Drawdown [(B) - (A)]: <u>0</u> Feet Below Land Surface	Well yielded <u>50</u> GPM with a drawdown of
Test Pumping Rate: <u>10</u> Gallons Per Minute	<u>20</u> feet after <u>4</u> hours of pumping
Duration of Pump Test (minimum 4 hours): <u>4</u> hours	

I HEREBY CERTIFY that the above statements are true to the best of my knowledge.

Harold Hill / McDonald & Hill / #0-8 Harold Hill
 Print Name of Pump Installer and License No. (if applicable) Signature of Pump Installer

Form: OLWR-309 (10/01/03)

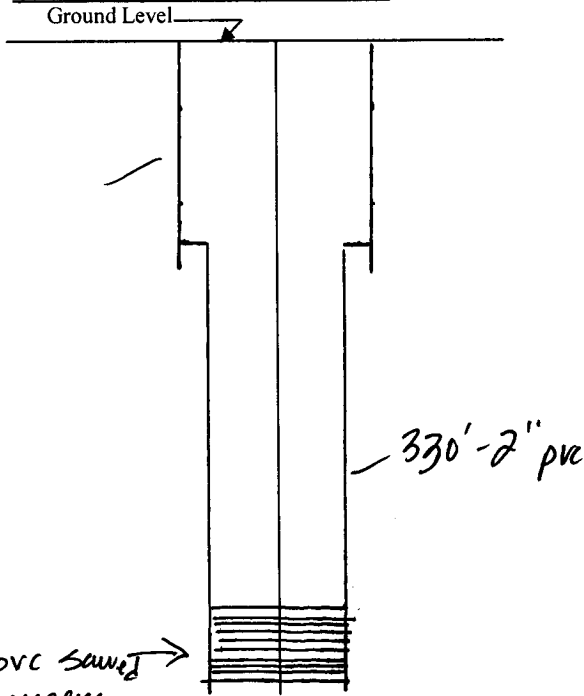
RECEIVED

MAY 21 2009

BY: OLWR

The sketch below only required for water wells

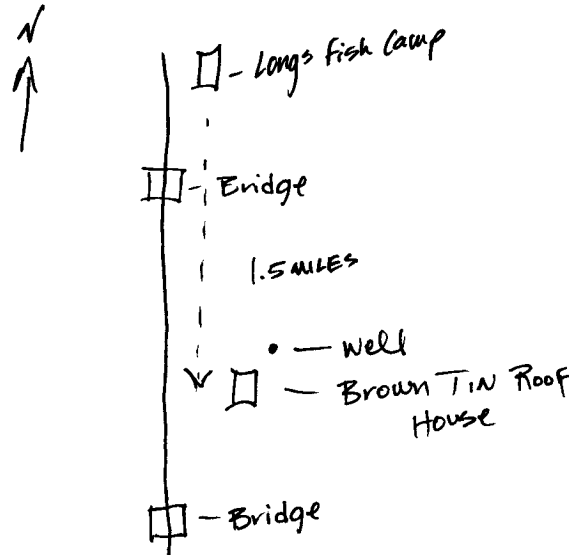
If well telescopes, show depths on sketch.



Description of formations encountered must be provided for all wells and boreholes, unless specifically exempted by regulations

Description of Formations Encountered	From (depth)	To (depth)
Sand (Brown)	Ground Level	20
Sand (Coarse)	20	70
Shale	70	117
Rock	117	122
Green sand	122	132
Sandy shale/Rock st.	132	260
Sand	260	320
Sandy shale	320	340
shale	340	380
Sandy shale	380	400
shale	400	410
Sand	410	500

Sketch the property layout and include the following: 1) the well location; 2) any permanent structures on the property that may aid in locating the well; 3) any roads, power lines, or other items that may aid in locating the property and the well; 4) a north arrow.



Landowner Name: Jerry Robinson

Form: OLWR-SWR-1A (04/08)

I certify that the well/borehole was drilled, constructed, and completed in accordance with all applicable requirements of the Mississippi Department of Environmental Quality and the Mississippi Department of Health regulations, if applicable, and state laws.

Harold Hill / McDonald's Hill / #0-8
 Print Name of Responsible Licensee and License No.

4-30-09
 Date

Harold Hill
 Signature of Licensee

RECEIVED
 MAY 21 2009
 BY: OLWR